

HVR41G4(CE)

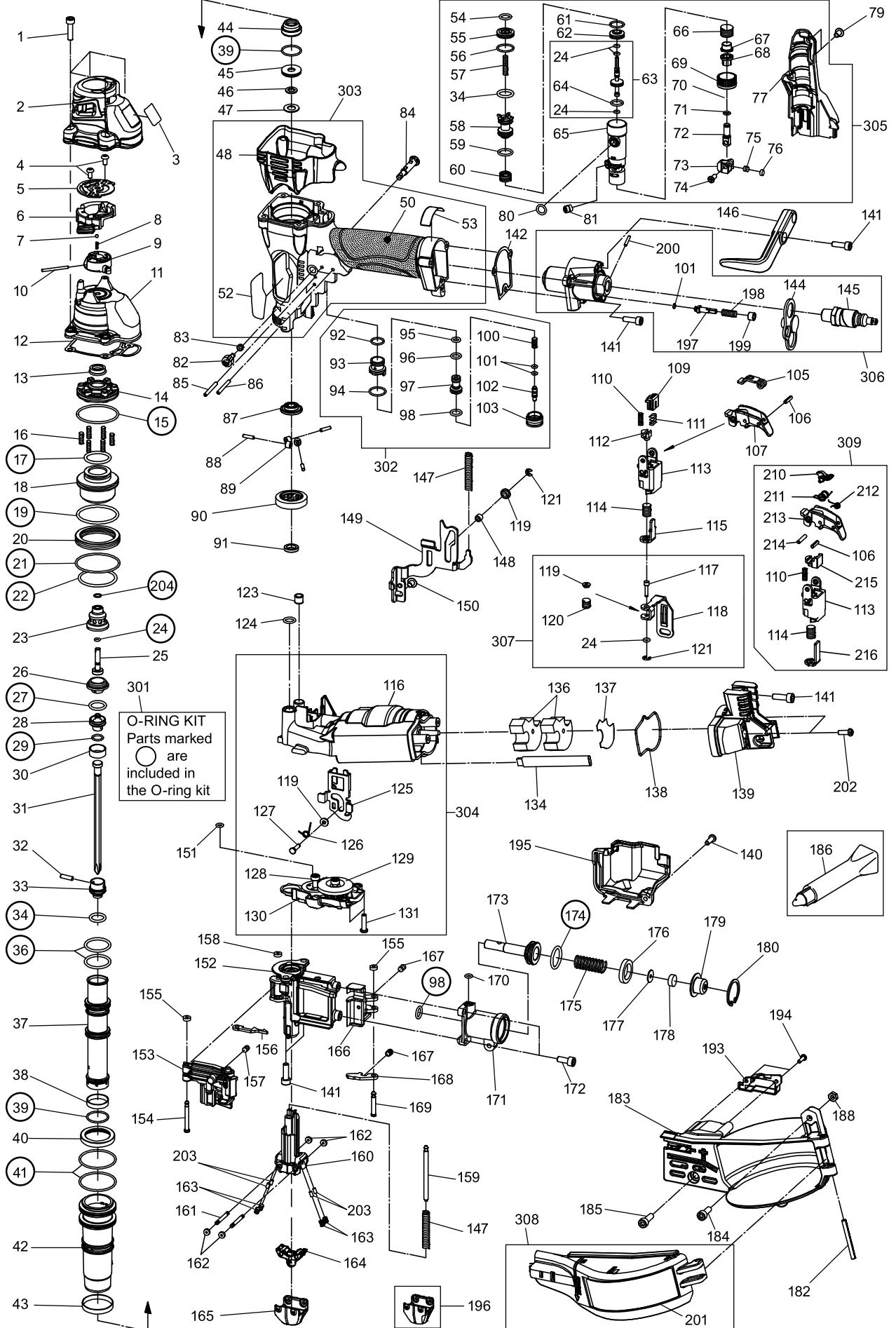
EXPLODED
VIEW AND SPARE
PARTS LIST

EINZELTEILDAR-
STELLUNG UND
ERSATZEILLISTE

SCHEMA ECLATE ET
LISTE DES PIÉCES
DE RECHANGE

ESPLOSO DEI
COMPONENTI DE
ELENCO DELLE
PARTI DI RICAMBIO

DESPIECE DE LA
MAQUINA Y LISTA
DE RECAMBIOS



INDEX	CODE	DESCRIPTION
1	BB40210	SCREW M5X20
2	FS14449	CYLINDER CAP PROTECTOR
3	FS13774	INSTRUCTION LABEL
4	BB41406	SCREW 4X8
5	FS14377	DIAL PLATE
6	FS14376	DIAL GUIDE
7	LL71806	STEEL BALL 3
8	KK23981	COMPRESSION SPRING 3981
9	FS14375	CHANGEOVER DIAL
10	FF31581	PIN 1581
11	FS14347	CYLINDER CAP
12	FS14351	CYLINDER CAP SEAL
13	FS13447	EXHAUST SEAL
14	FS14348	HEAD VALVE GUIDE A
15	HH19763	O-RING A 2X39.5
16	KK23650	COMP SPRING 3650
17	HH11147	O-RING ARP568-119 N10013
18	FS13451	HEAD VALVE PISTON
19	HH19708	O-RING A 2.6X39.5
20	FS13452	HEAD VALVE GUIDE B
21	HH14151	O-RING AS568-029
22	HH14159	O-RING AS568-127
23	FS14350	PISTON STOP HOLDER
24	HH19707	O-RING A1.4X2.5
25	FS14346	CHANGEOVER SHAFT
26	FS13448	PISTON STOP
27	HH11224	O-RING B P14
28	FS14400	PISTON CAP
29	HH19117	O-RING A 1.5X8
30	FS13820	PISTON BAND
31	FS91341	BIT B41X2 FOR TURBO DRIVER
32	FF31539	STRAIGHT PIN 1539
33	FS14387	MAIN PISTON
34	HH11131	O-RING AP11 *
36	HH11108	O-RING AP22
37	FS14352	CYLINDER
38	FS14353	CHECK VALVE
39	HH19170	O-RING A 1.5X18.2
40	FS13458	CYLINDER RING SEAL
41	HH14028	O-RING AS568-028
42	FS14354	CYLINDER GUIDE
43	FS13808	CHECK VALVE B
44	FS13464	BUMPER
45	FS13559	BIT GUIDE
46	FS13561	BIT RING
47	EE39910	PLAIN WASHER 8.5X15X1
48	FS14369	BODY PROTECTOR
50	HA10971	GRIP COVER
52	FS14384	LOGOTYPE LABEL

53	FS13775	OIL CAUTION LABEL
54	HH19131	O-RING A 1.9X9.2
55	FS14360	STOP VALVE CAP
56	HH19746	O-RING A 1.5X15.5
57	KK23980	COMPRESSION SPRING 3980
58	FS14362	STOP VALVE PISTON
59	HH19754	O-RING A 1.9X11
60	KK23954	COMPRESSION SPRING 3954
61	HH12105	O-RING 1A 1.5 X 12.8 N5521
62	FS14381	STOP VALVE STEM GUIDE
63	FS81058	STOP VALVE STEM ASSY
64	HH11165	O-RING ARP568-012
65	FS14359	STOP VALVE HOUSING
66	KK23982	COMPRESSION SPRING 3982
67	FS14380	ADJUST COLLAR
68	FS14700	ADJUST NUT
69	HN10026	ADJUST DIAL
70	CN33995	STOPPER
71	HH11903	O-RING 1A 1.2 X 4 T29051(REPLACES TA15277)
72	FS14364	CONTACT BOLT
73	FS14366	SELECTOR SWITCH
74	FS14365	SELECTOR SHAFT B
75	KK23955	COMPRESSION SPRING 3955
76	FS14367	WASHER
77	FS14368	STOP VALVE COVER
79	BB41408	BUTTON SCREW 5X8
80	HH11117	O-RING AP8 CN65033
81	FS13556	PIPE
82	CN35074	TRIGGER LOCK DIAL
83	KK23507	SPRING 3507
84	CN35075	TRIGGER LOCK LEVER
85	FF21254	PIN 3 X 28 N10038
86	FF21279	PIN 3X26
87	FS70125	GEAR GUIDE A UNIT
88	FF31538	PIN 1538
89	FS14337	GEAR ROLLER
90	FS14336	GEAR E
91	FS14373	GEAR GUIDE B
92	HH19720	O-RING A 1.5X11.5
93	TA16092	TRIGGER VALVE HOUSING
94	HH19721	O-RING 1A 1.5X13.6
95	HH11119	O-RING AP6 N10027
96	HH11209	O-RING 1BP7 N10028
97	TA16091	PILOT VALVE
98	HH11113	O-RING AP9 N5528
100	KK23666	COMPRESSION SPRING 3666
101	HH11901	O-RING 1.4 X 2.5 CN65020
102	TA16090	TRIGGER VALVE STEM
103	TA16089	TRIGGER VALVE CAP
105	TA17137	CONTACT LEVER

106	FF22412	ROLL PIN 3X12
107	TA17136	TRIGGER
109	CN34800	LEVER
110	KK23282	COM. SPRING 3282
111	CN34500	LEVER SPRING
112	FS14399	ARM GUIDE PIN
113	CN36243	ARM GUIDE
114	KK29027	COMPRESSION SPRING 9027
115	CN36244	CONTACT ARM A
116	FS81087	AIR MOTOR
117	FS14389	CONTACT PIN
118	FS14340	CONTACT ARM B
119	FS14342	ROLLER A
120	KK29013	COMPRESSION SPRING 9013
121	JJ10104	E-RING 2.3
123	FS13554	PIPE
124	HH19913	O-RING1.8X8
125	FS14335	BLOCK PLATE
126	KK33368	TORSION SPRING 3368
127	FS14341	ROLLER PIN
128	FS70076	GEAR C UNIT
129	FS70074	GEAR B UNIT
130	FS70075	GEAR BOX B ASSY
131	AA04504	TAP TIGHT (B)4X16 CF
134	FS81052	FILTER ASSY
136	FS14334	EXHAUST FILTER 1
137	FS14333	EXHAUST FILTER 2
138	FS14657	MOTOR BRACKET SEAL
139	FS14329	MOTOR BRACKET
140	AA21574	PAN HEAD SCREW 4X12 CF
141	BB40223	SCREW M5X16
142	FS13544	END CAP SEAL
144	HN10316	END PLUG CAP
145	HN70264	AIR PLUG H-FPM
146	CN35200	HOOK
147	KK29042	COMPRESSION SPRING 9042
148	FS14343	ROLLER B
149	FS70173	CONTACT ARM C UNIT
150	BB41409	SCREW M5X6
151	HH11115	O-RING AP3 N10032/N5569
152	FS14659	NOSE
153	FS70171	DOOR
154	FF41819	SETP PIN 1819
155	EE39602	WASHER 7
156	FS13529	CHECK PAWL
157	KK23754	COMPRESSION SPRING 3754
158	EE39625	RUBBER WASHER
159	FF31606	PIN 1606
160	FS14660	NOSE TOP
161	FF41852	STEP PIN 1852

162	EE39609	RUBBER WASHER 1.8X6X2
163	KK23953	COMPRESSION SPRING 3953
164	FS14791	VERTICAL GUIDE
165	FS14316	CONTACT TOP
166	FS13521	FEED PAWL
167	KK23457	COM. SPRING 3457
168	FS13523	CONTACT STOPPER
169	FF41820	STEP PIN 1820
170	HH19125	O-RING A1.6X4.2 CN65064
171	FS14393	NOSE B
172	BB40406	SCREW M5X12
173	FS13522	FEED PISTON
174	HH11107	O-RING AP18
175	KK23899	COMP SPRING 3899
176	CN31953	CN37368 REPLACED FEED PISTON STOP
177	EE39907	WASHER 3.1X12X0.8
178	FS13778	FEED FILTER
179	CN37995	SPRING COLLAR
180	JJ22408	C-RING 24
182	FF22203	W.S. PIN 4X40(FORMER FF21222)
183	FS70168	MAGAZINE UNIT
184	BB40408	BOLT 5X14
185	BB40310	HEX BOLT 5X16
186	TT05211	MOLYKOTE GREASE EM-30L
188	CC43401	NUT
193	FS14397	SENSOR COVER
194	AA21580	PAN HEAD SCREW 3X10 CF
195	FS14318	ARM COVER
196	FS14317	CONTACT TOP L
197	CN31069	RELIEF VALVE STEM
198	KK23100	SPRING 3100 CN65022 (OBSOLETE)
199	CN35194	SPACER
200	FF21205	ROLL PIN 2.5X12 N5564
201	FS14821	WARNING LABEL
202	AA05590	TAP TIGHT(B)4X20 CF +BIND
203	FS14684	VERTICAL GUIDE BUMPER
204	HH12904	O-RING A 1X6.2 N5536
210	TA16138	S.T. LEVER
211	KK33247	SPRING 3247
212	KK33252	TORSION SPRING 3252
213	CN36293	TRIGGER
214	FF22402	SPRING PIN 3X16 (LIGHT LOAD)
215	FS14415	CONTACT ARM A GUIDE
216	CN36291	CONTACT ARM A
301	FS81086	O-RING KIT
302	TA80140	TRIGGER VALVE ASSY
303	FS81082	BODY ASSY (HVR41G4-CE)
304	FS81085	AIR MOTOR ASSY
305	FS70086	STOP VALVE ASSY
306	FS70119	END CAP ASSY

307	FS70132	CONTACT ARM B ASSY
308	FS81083	MAGAZINE CAP ASSY
309	FS81062	ST KIT