

TA116A/21-13(CE)

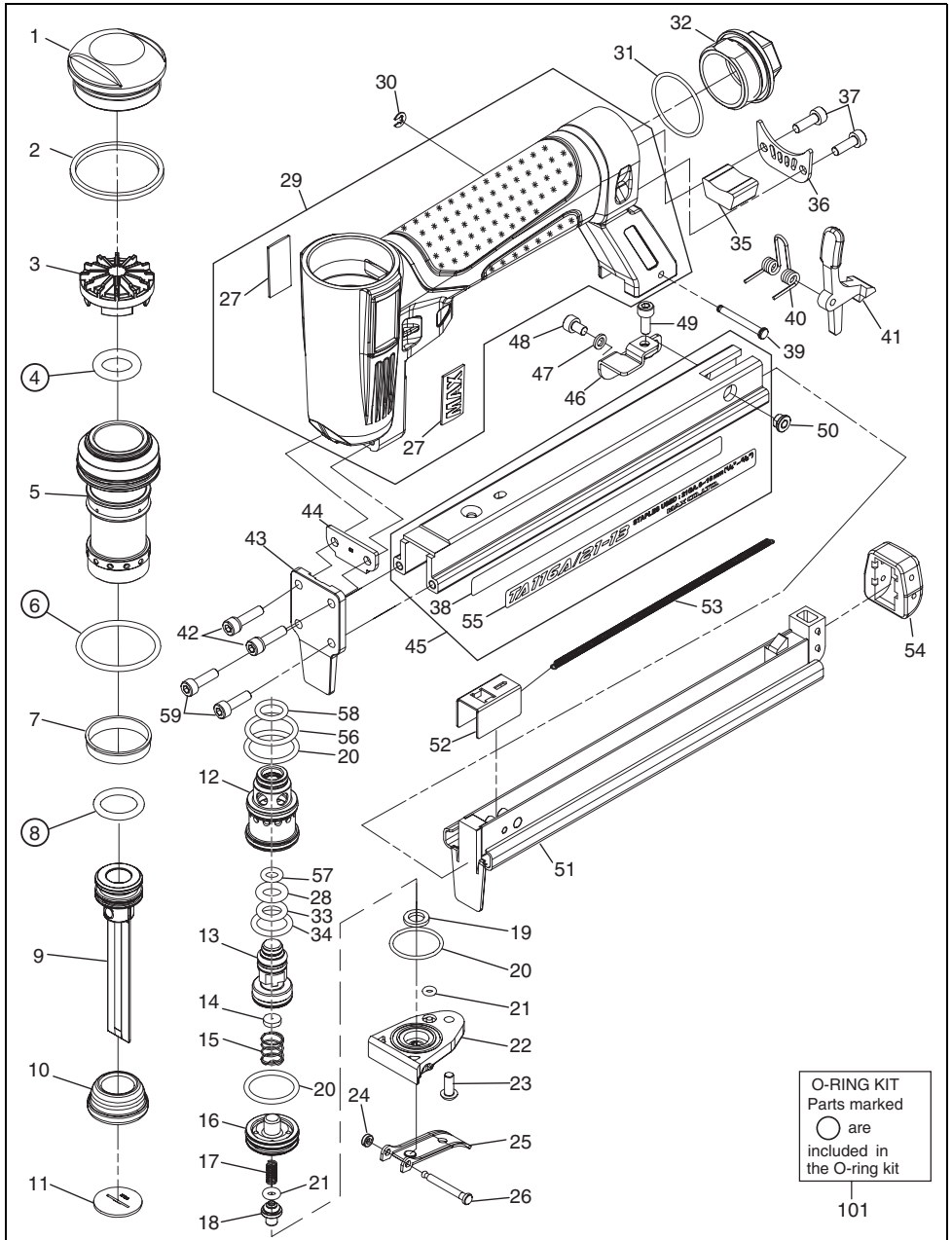
EXPLODED
VIEW AND SPARE
PARTS LIST

EINZELTEILDAR-
STELLUNG UND
ERSATZEILLISTE

SCHEMA ECLATE ET
LISTE DES PIÉCES
DE REMPLACEMENT

ESPLOSO DEI
COMPONENTI DE
ELENCO DELLE
PARTI DI RICAMBIO

DESPIECE DE LA
MAQUINA Y LISTA
DE RECAMBIOS



INDEX	CODE	DESCRIPTION
1	TA18896	CYLINDER CAP
2	TA18897	CYLINDER CAP SEAL
3	TA18908	CYLINDER WASHER
4	TA18909	O-RING 8909
5	TA18898	CYLINDER
6	TA18899	O-RING 8899
7	TA18900	CHECK VALVE
8	TA18901	O-RING 8901
9	TA19912	DRIVER UNIT
10	TA19913	BUMPER
11	TA18988	NOZZLE
12	TA18911	TRIGGER VALVE HOUSING
13	TA18914	MAIN VALVE
14	TA18916	PILOT VALVE BUMPER
15	TA18917	COMPRESSION SPRING8917
16	TA18918	TRIGGER VALVE CAP
17	TA18919	COMPRESSION SPRING8919
18	TA18921	TRIGGER VALVE STEM
19	TA18922	TRIGGER VALVE STEM SEAL
20	TA18912	O-RING 8912
21	TA18920	O-RING 8920
22	TA18923	TRIGGER HOUSING
23	TA18924	HALF ROUND HD.HEX.SCRE
24	TA18927	RUBBER WASHER
25	TA18926	TRIGGER
26	TA18925	STEP PIN 8925
27	TA18930	NAME PLATE
28	TA18966	O-RING 8966
29	TA70315	FRAME UNIT
30	TA18953	E-RING
31	TA18931	O-RING 8931
32	TA18932	END CAP
33	TA18967	O-RING 8967
34	TA18915	O-RING 8915
35	TA18936	EXHAUST FILTER
36	TA18934	EXHAUST COVER
37	TA18935	HEX.SOC.HD.CAP SCREW
38	TA18956	WARNING LABEL
39	TA18952	STEP PIN 8952
40	TA18950	TORSION SPRING
41	TA18951	CLICK LEVER
42	TA18937	HEX.SOC.HD.CAP SCREW
43	TA18989	DRIVER GUIDE
44	TA18990	WARE PLATE
45	TA81350	MAGAZINE ASSY (AFTER)
46	TA18992	TAIL HANGER
47	TA18945	WASHER
48	TA18944	HEX.SOC.HD.CAP SCREW
49	TA18946	HEX.SOC.HD.CAP SCREW
50	TA18942	SPECIAL NUT
51	TA18994	SLIDER UNIT
52	TA18993	PUSHER
53	TA18954	EXTENSION SPRING
54	TA18949	TAIL COVER
55	TA19923	NAME LABEL(CE&USA)
56	TA18910	O-RING 8910
57	TA18913	O-RING 8913
58	TA18965	O-RING 8965
59	TA18938	HEX.SOC.HD.CAP SCREW
101	TA81248	O-RING KIT