

TA551A/16-11

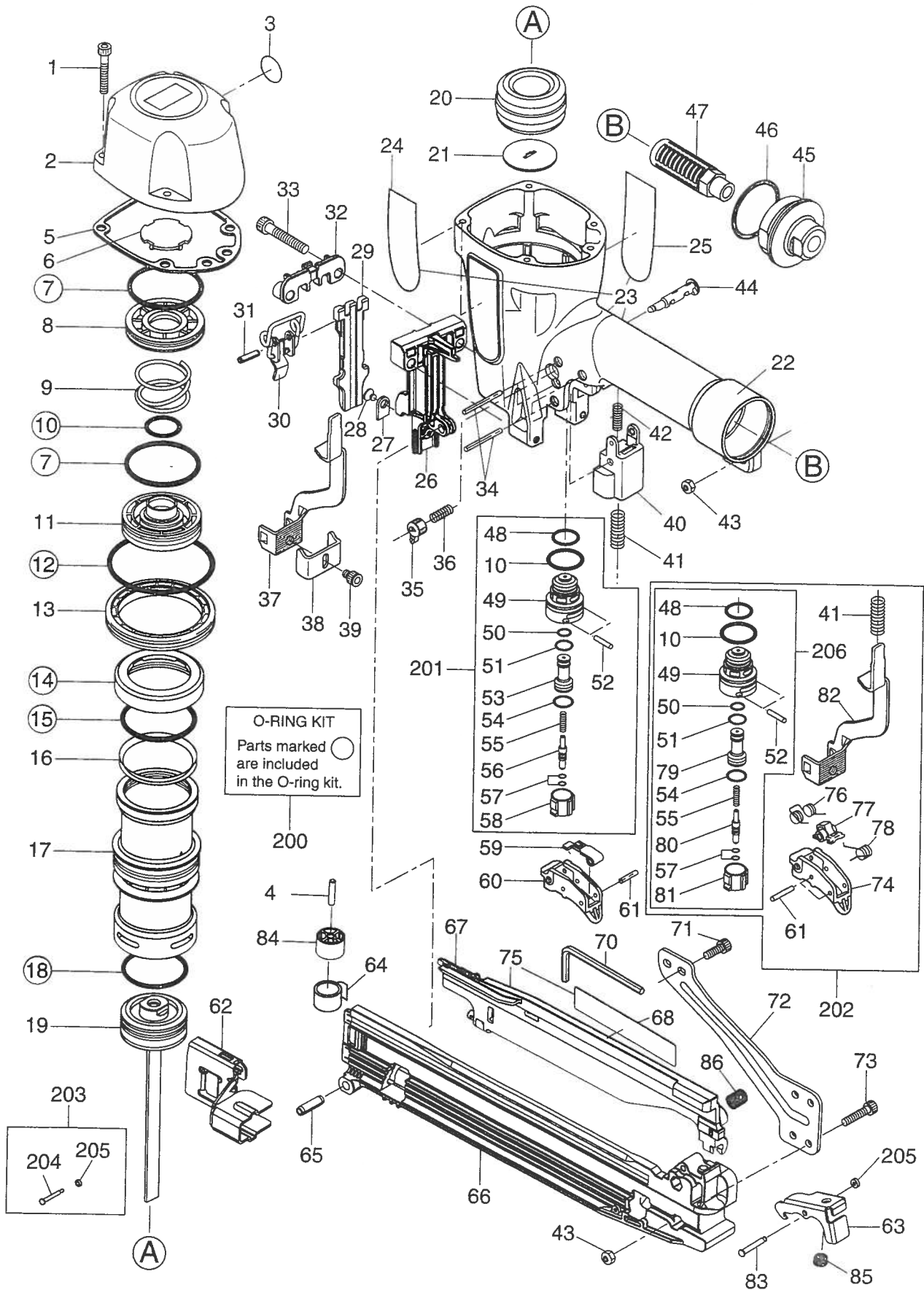
EXPLODED
VIEW AND SPARE
PARTS LIST

EINZELTEILDAR-
STELLUNG UND
ERSATZEILLISTE

SCHEMA ECLATE ET
LISTE DES PIECES
DE RECHANGE

ESPLOSO DEI
COMPONENTI DE
ELENCO DELLE
PARTI DI RICAMBIO

DESPIECE DE LA
MAQUINA Y LISTA
DE RECAMBIOS



TA551A/16-11 - Parts List

1	BB40470	SCREW 5X32	46	HH12118	O RING 1AG35
2	TA16996	CYLINDER CAP	47	TA17024	FILTER A
4	FF31535	STRAIGHT PIN 1535	48	HH11125	O-RING AP12 CN65086
5	TA16997	CYLINDER CAP SEAL	49	CN31323	TRIGGER VALVE HOUSING
6	CN33838	EXHAUST SEAL	50	HH11119	O-RING AP6 N10027
7	HH11170	O-RING AP48	51	HH11209	O-RING 1BP7 N10028
8	CN37216	HEAD VALVE GUIDE	52	FF30161	PIN 161
9	KK23934	COMP.SPIN 3934	53	CN31589	PILOT VALVE
10	HH11138	O-RING AP20	54	HH11113	O-RING AP9 N5528
11	CN37217	HEAD VALVE PISTON	55	KK24123	COMPRESSION SPRING 4123
12	HH12108	O-RING AG60(FORMER HH12114)	56	CN35779	TRIGGER VALVE STEM
13	CN35060	CYLINDER RING	57	HH11901	O-RING 1.4 X 2.5 CN65020
14	CN34682	CYLINDER SEAL	58	CN33009	TRIGGER VALVE CAP
15	HH19165	O-RING A 2.6X46.5 (CN-57)	59	CN35115	CONTACT LEVER
16	CN35131	CHECK VALVE	60	CN35714	TRIGGER
17	TA16998	CYLINDER	61	FF22402	SPRING PIN 3X16 (LIGHT LOAD)
18	HH11807	O-RING P38	62	TA18511	PUSHER
19	TA70278	MAIN PISTON UNIT	63	TA18512	CLICK LEVER
20	TA17016	BUMPER	64	KK44023	SPRING 4023
21	TA17017	NOZZLE	65	FF21613	ROLL PIN 6X20
22	TA18506	FRAME	66	TA18510	MAGAZINE
23	TA81112	FRAME	67	TA17010	MAGAZINE COVER
24	TA18515	LABEL A	68	TA18689	WARNING LABEL
25	TA18516	LABEL B	70	TT15401	HEX. BAR WRENCH 4
26	TA18688	NOSE	71	BB40408	BOLT 5X14
27	TA18523	WEAR CHIP	72	TA17013	TAIL HANGER
28	AA22207	COUNTERSUNK SCREW 4 X 5	73	BB40401	BOLT 5 X 22
29	TA18509	DRIVER GUIDE B	74	CN35648	TRIGGER
30	TA70256	LATCH UNIT	75	TA81189	STAPLE COVER ASSY
31	FF21275	SPRING PIN 4X16	76	KK33247	SPRING 3247
32	TA18508	DRIVER GUIDE A	77	TA16138	S.T. LEVER
33	BB40465	SCREW M6X45	78	KK33144	TORSION SPRING 3144
34	FF21611	ROLL PIN 3X32 AW	79	CN33627	PILOT VALVE
35	CN35074	TRIGGER LOCK DIAL	80	CN33723	TRIGGER VALVE STEM
36	KK23507	SPRING 3507	81	CN31346	TRIGGER VALVE CAP
37	TA17007	CONTACT ARM A	82	TA17023	CONTACT ARM A
38	TA17008	CONTACT ARM B	83	FF41599	PIN 1599 (REPLACES FF41587)
39	BB40467	HEX SOC HD SCR 5MM X 6MM	84	GN10424	SPRING COLLAR
40	TA17001	CONTACT ARM GUIDE	85	KK23287	COM. SPRING 3287
41	KK23807	COMP SPRING 3807	86	KK29015	COMP. SPRING 9015
42	KK23282	COM. SPRING 3282	200	TA81012	O-RING KIT
43	CC49409	NUT	201	TA81178	TRIGGER VALVE KIT
44	CN35075	TRIGGER LOCK LEVER	202	TA81011	SEQ. TRIP ASSY
45	TA17032	END CAP	203	TA81014	STEP PIN KIT
			204	FF41842	PIN 1842
			205	EE39609	RUBBER WASHER 1.8X6X2
			206	CN80150	SEQUENTIAL TRIGGER VALVE ASSY