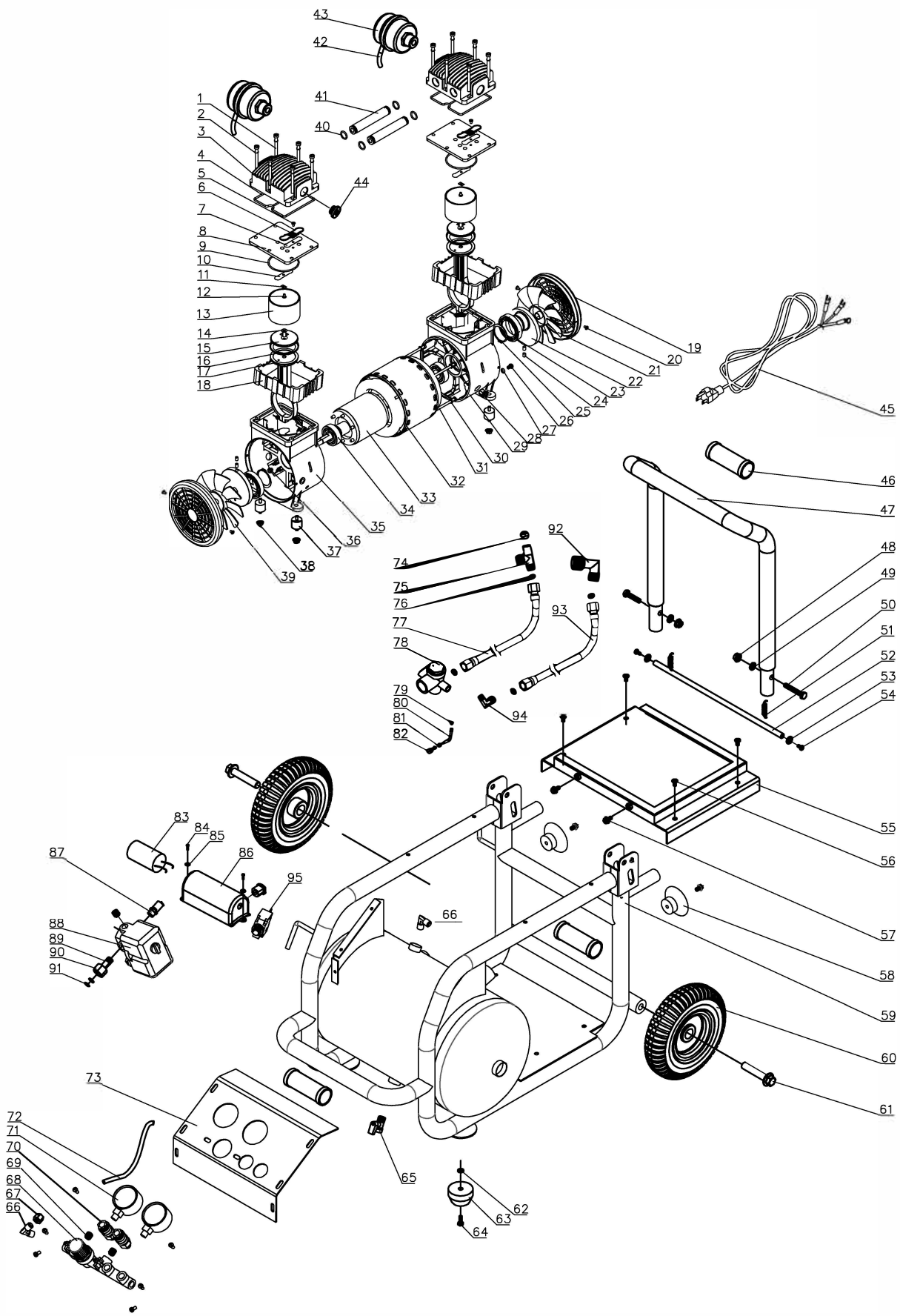


# 20/240



**Compressor 20/240 Oil-free parts list**

<b>PART NO.</b>	<b>PART CODE</b>	<b>Q'ty</b>	<b>Name</b>
1	R7502024001	12	Screw
2	R7502024002	12	Cushion
3	R7502024003	2	Cylinder head
4	R7502024004	2	Seal
5	R7502024005	4	Screw
6	R7502024006	4	Limit range implement
7	R7502024007	6	Valve block
8	R7502024008	2	Valve board
9	R7502024009	2	O-ring
10	R7502024010	4	Valve block
11	R7502024011	2	Valve plate clamp
12	R7502024012	2	Screw
13	R7502024013	2	Cylinder
14	R7502024014	2	Screw
15	R7502024015	2	Valve board
16	R7502024016	2	Piston cup
17	R7502024017	2	Connecting rod
18	R7502024018	2	Heightening the lining
19	R7502024019	2	Wind scooper
20	R7502024020	4	Screw
21	R7502024021	1	A fan
22	R7502024022	2	Crank
23	R7502024023	2	Bearing
24	R7502024024	4	Screw
25	R7502024025	2	circlip for shaft
26	R7502024026	1	Screw
27	R7502024027	1	Serrated Lock Washers Internal Teeth
28	R7502024028	2	Power cord buckle
29	R7502024029	1	Right crankcase
30	R7502024030	4	Cushion
31	R7502024031	4	Bolt
32	R7502024032	1	Motor stator
33	R7502024033	1	Motor rotor
34	R7502024034	2	Bearing
35	R7502024035	1	Left crankcase
36	R7502024036	4	Nut
37	R7502024037	4	Shock pad
38	R7502024038	4	Nut
39	R7502024039	1	B fan
40	R7502024040	4	O-ring
41	R7502024041	2	Gas-guide tube
42	R7502024042	2	Hush pipe
43	R7502024043	2	Air filter
44	R7502024044	1	Plug
45	R7502024045	1	Power cord
46	R7502024046	3	Handle sleeve
47	R7502024047	1	Handle
48	R7502024048	2	Nut
49	R7502024049	2	Flat washer
50	R7502024050	2	Bolt
51	R7502024051	2	Extension spring
52	R7502024052	1	Hand rod
53	R7502024053	2	Flat washer
54	R7502024054	10	Screw
55	R7502024055	1	Tool plate
56	R7502024056	4	Screw
57	R7502024057	4	Bolt
58	R7502024058	2	Foot pad
59	R7502024059	1	Tank
60	R7502024060	2	Foot wheel
61	R7502024061	2	Wheel shaft
62	R7502024062	2	Flat washer
63	R7502024063	2	Foot Pad
64	R7502024064	2	Bolt
65	R7502024065	1	Ball valve
66	R7502024066	2	Elbow
67	R7502024067	2	Nut
68	R7502024068	1	Regulator valve
69	R7502024069	4	Screw
70	R7502024070	2	Quick connect
71	R7502024071	2	Pressure gauge
72	R7502024072	1	Nylon pipe
73	R7502024073	1	Instrument panel
74	R7502024074	1	Easy starter

75	R7502024075	2	Three-way
76	R7502024076	4	Seal cushion
77	R7502024077	2	Exhaust pipe
78	R7502024078	1	Check valve
79	R7502024079	2	Lining
80	R7502024080	1	Unloading pipe
81	R7502024081	1	Cutting sleeve
82	R7502024082	1	Nut
83	R7502024083	1	Capacity
84	R7502024084	2	Screw
85	R7502024085	2	Flat washer
86	R7502024086	1	Capacity cover
87	R7502024087	1	Safety valve
88	R7502024088	1	Pressure switch
89	R7502024089	1	Flexible joint
90	R7502024090	1	Flexible joint Nut
91	R7502024091	2	Gasket
92	R7502024092	1	Elbow
93	R7502024093	1	Exhaust pipe
94	R7502024094	1	Elbow
95	R7502024095	1	protector