

NF255FA/18(CE)

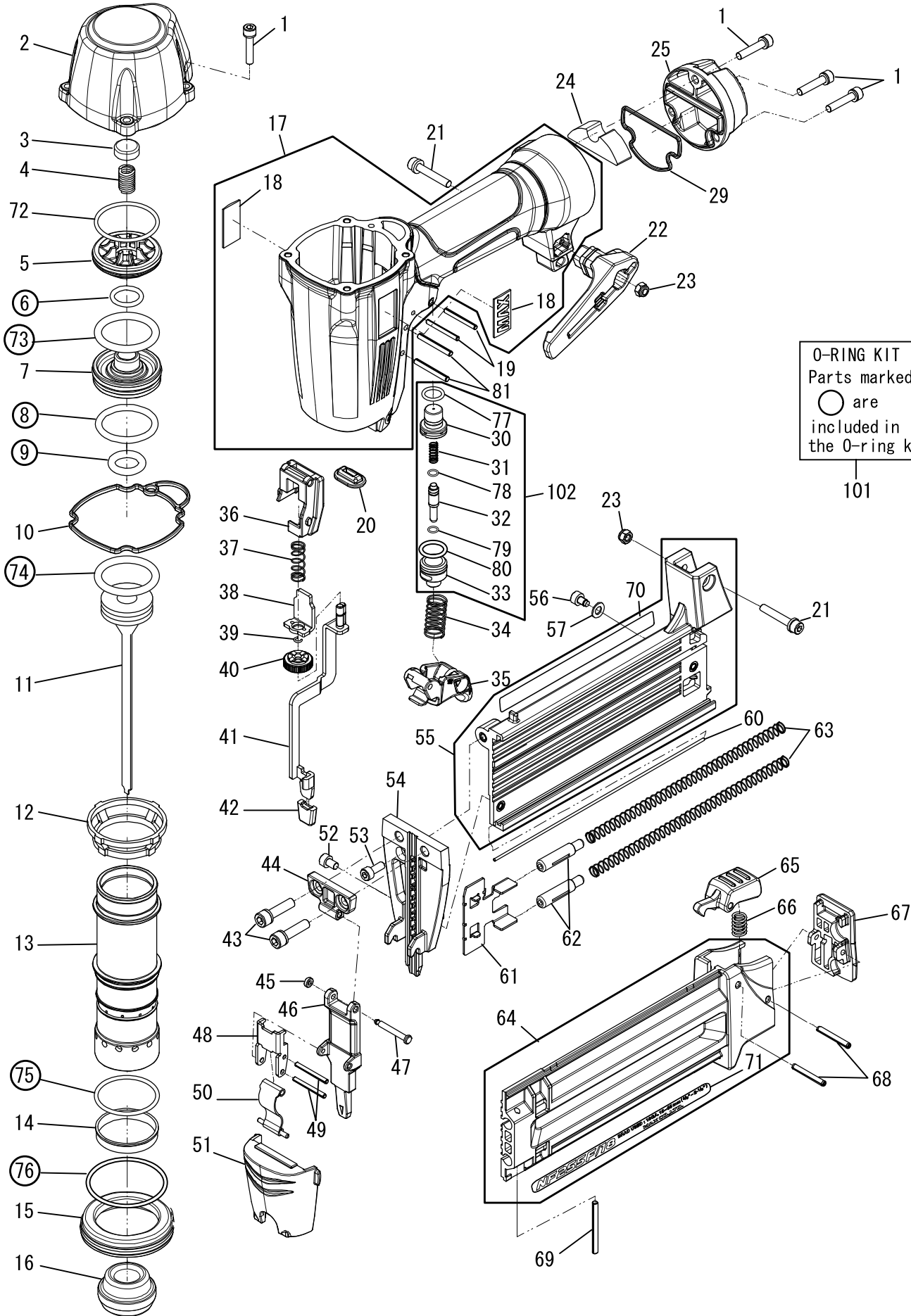
EXPLODED
VIEW AND SPARE
PARTS LIST

EINZELTEILDAR-
STELLUNG UND
ERSATZEILLISTE

SCHEMA ECLATE ET
LISTE DES PIÉCES
DE RECHANGE

ESPLOSO DEI
COMPONENTI DE
ELENCO DELLE
PARTI DI RICAMBIO

DESPIECE DE LA
MAQUINA Y LISTA
DE RECAMBIOS



INDEX	CODE	DESCRIPTION
1	TA19210	HEX. SOC. HD. CAP SCREW ASSY
2	TA19136	CYLINDER CAP
3	TA19137	EXHAUST SEAL
4	TA19138	COMPRESSION SPRING
5	TA19139	HEAD VALVE GUIDE
6	TA19141	O-RING 9141
7	TA19142	HEAD VALVE PISTON
8	TA19143	O-RING 9143
9	TA19144	O-RING 9144
10	TA19145	CYLINDER CAP SEAL
11	TA19906	DRIVER UNIT
12	TA19208	CYLINDER WASHER
13	TA19146	CYLINDER
14	TA19148	CHECK PAWL
15	TA19149	CYLINDER RING
16	TA19907	BUMPER
17	TA70351	FRAME UNIT
18	TA18930	NAME PLATE
19	TA19180	SPRING PIN
20	TA19154	NOZZLE
21	TA19170	HEX. SOC. HD. CAP SCREW
22	TA19171	HOOK
23	TA19172	ELASTIC STOP NUT
24	TA19173	EXHAUST FILTER
25	TA19169	END CAP
29	TA19168	END CAP SEAL
30	TA19156	TRIGGER VALVE HEAD
31	TA19157	SPRING
32	TA19158	TRIGGER VALVE STEM
33	TA19162	TRIGGER VALVE GUIDE
34	TA19163	SPRING
35	TA19164	TRIGGER UNIT
36	TA19198	ARM GUIDE
37	TA19199	SPRING
38	TA19200	CONTACT ARM A
39	TA19201	C-RING
40	TA19182	ADJUST DIAL
41	TA19183	CONTACT ARM B
42	TA19202	CONTACT TOP
43	TA19052	HEX.SOC.HD.CAP SCR.ASSY
44	TA19174	DRIVER GUIDE B
45	TA19176	RUBBER WASHER
46	TA19175	DRIVER GUIDE A
47	TA19177	STEP PIN
48	TA19179	FRONT LATCH
49	TA19203	SPRING PIN

50	TA19181	SPRING FOR FRONT LATCH
51	TA19184	FRONT COVER
52	TA18944	HEX.SOC.HD.CAP SCREW
53	TA18946	HEX.SOC.HD.CAP SCREW
54	TA19178	WARE PLATE
55	TA81267	MAGAZINE ASSY(CE)
56	TA19187	HEX. SOC. HD. CAP SCREW
57	TA19186	WASHER
60	TA19188	NAIL GUIDE
61	TA19189	PUSHER
62	TA19190	PUSHER GUIDE
63	TA19191	SPRING
64	TA81344	SLIDER ASSY
65	TA19196	CLICK LEVER
66	TA19195	SPRING
67	TA19197	TAIL COVER
68	TA19194	SPRING PIN
69	TA19193	SPRING PIN
70	TA19205	WARNING LABEL
71	TA19918	NAME LABEL(CE&USA)
72	TA19140	O-RING 9140
73	TA19215	O-RING 9215
74	TA19209	O-RING 9209
75	TA19147	O-RING 9147
76	TA19150	O-RING 9150
77	TA19155	O-RING 9155
78	TA19159	O-RING 9159
79	TA19160	O-RING 9160
80	TA19161	O-RING 9161
81	TA19165	SPRING PIN
101	TA81265	O-RING KIT
102	TA81266	TRIGGER VALVE KIT