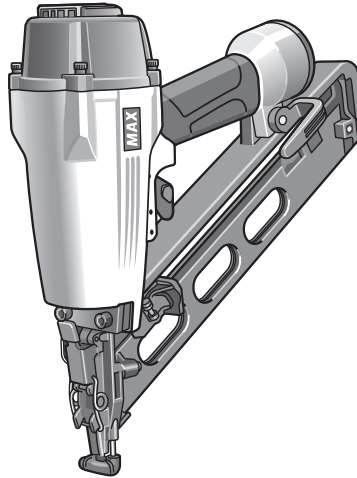


NF665A/15(CE)

MAX[®]

15 GA. FINISH NAILER
WINKEL-NAGELPISTOLE FÜR 15-
GA-STIFTNÄGEL
CLOUEUR DE FINITION A ANGLE
DE 15 Ga
15 GA. CHIODATRICE DI FINIZIONE
ANGOLATA
CLAVADORA DE ACABADO AN-
GULAR DE CALIBRE 15



OPERATING AND MAINTENANCE MANUAL BETRIEBSANLEITUNG MANUEL D'UTILISATION ET D'ENTRETIEN MANUALE DI FUNZIONAMENTO E MANUTENZIONE MANUAL DE OPERACIONES Y MANTENIMIENTO

Original Language English



WARNING

BEFORE USING THIS TOOL, STUDY THIS MANUAL TO ENSURE SAFETY WARNING AND INSTRUCTIONS.
KEEP THESE INSTRUCTIONS WITH THE TOOL FOR FUTURE REFERENCE.



WARNUNG

LESEN SIE VOR INBETRIEBNAHME DES GERÄTES DIE GEBRAUCHS- UND SICHERHEITSHINWEISE.
BITTE BEWAHREN SIE DIE GEBRAUCHS- UND SICHERHEITSHINWEISE AUF, DAMIT SIE AUCH SPÄTER EINGESEHEN WERDEN KÖNNEN.



AVERTISSEMENT

AVANT D'UTILISER CET OUTIL, LIRE CE MANUEL ET LES CONSIGNES DE SÉCURITÉ AFIN DE GARANTIR UN FONCTIONNEMENT SÛR.
CONSERVER CE MANUEL EN LIEU SÛR AVEC L'OUTIL AFIN DE POUVOIR LE CONSULTER UL-TÉRIEUREMENT.



ATTENZIONE

PRIMA DI USARE QUESTO STRUMENTO, STUDIARE IL MANUALE PER PRENDERE ATTO DELLE AVVERTENZE E DELLE ISTRUZIONI PER LA SICUREZZA.
TENERE QUESTE ISTRUZIONI INSIEME ALLO STRUMENTO PER CONSULTAZIONI FUTURE.



ADVERTENCIA

ANTES DE UTILIZAR ESTA HERRAMIENTA, LEA DETENIDAMENTE ESTE MANUAL PARA FAMILIARIZARSE CON LAS ADVERTENCIAS E INSTRUCCIONES DE SEGURIDAD.
CONSERVE ESTAS INSTRUCCIONES JUNTO CON LA HERRAMIENTA PARA FUTURAS CONSULTAS.

INDEX INHALTSVERZEICHNIS INDEX INDICE ÍNDICE

ENGLISH	Page	3	to	12
DEUTSCH	Page	13	to	22
FRANÇAIS	Page	23	to	32
ITALIANO	Page	33	to	42
ESPAÑOL	Page	43	to	52

www.max-europe.com

DEFINITIONS OF SIGNAL WORDS

- WARNING:** Indicates a potentially hazardous situation which, if not avoided, could result in death or serious injury.
- CAUTION:** Indicates a potentially hazardous situation which, if not avoided, may result in minor or moderate injury.
- NOTE:** Emphasizes essential information.

DEFINITIONEN DER HINWEISBEZEICHNUNGEN

- WARNUNG:** Zeigt eine eventuell gefährliche Situation an, die den Tod oder schwere Verletzungen zur Folge haben könnte, wenn sie nicht vermieden wird.
- VORSICHT:** Zeigt eine eventuell gefährliche Situation an, die leichte oder mittelschwere Verletzungen zur Folge haben könnte, wenn sie nicht vermieden wird.
- HINWEIS:** Hebt wichtige Informationen hervor.

DÉFINITIONS DES DIFFÉRENTS DEGRÉS D' AVERTISSEMENTS

- AVERTISSEMENT:** Indique une situation éventuellement dangereuse qui, si elle n'est pas contournée, pourrait provoquer la mort ou des blessures sérieuses.
- ATTENTION:** Indique une situation éventuellement dangereuse qui, si elle n'est pas contournée, pourrait provoquer des blessures légères à moyennement sérieuses.
- REMARQUE:** Souligne des informations importantes.

DEFINIZIONE DELLE INDICAZIONI DI AVVERTIMENTO

- ATTENZIONE:** Indica l'eventualità che possa verificarsi una situazione pericolosa, la quale se non viene evitata, può risultare letale o provocare gravi lesioni.
- AVVERTENZA:** Indica l'eventualità che possa verificarsi una situazione pericolosa, la quale se non viene evitata, può provocare lesioni di lieve o media entità.
- NOTA:** Evidenzia informazioni importanti.

DEFINICIÓN DE LAS INDICACIONES DE ADVERTENCIA

- ADVERTENCIA:** Indica una situación potencialmente peligrosa que podría causar la muerte o graves lesiones si no se evita.
- PRECAUCIÓN:** Indica una situación potencialmente peligrosa que podría causar lesiones menos graves o leves si no se evita.
- NOTA:** Resalta informaciones importantes.

ENGLISH

OPERATING AND MAINTENANCE MANUAL

INDEX

1. GENERAL SAFETY WARNINGS	3
2. SAFETY WARNING	4
3. SPECIFICATIONS AND TECHNICAL DATA	7
4. AIR SUPPLY AND CONNECTIONS	8
5. INSTRUCTIONS FOR OPERATION	8
6. MAINTENANCE	12
7. STORAGE	12
8. TROUBLE SHOOTING/REPAIRS	12



WARNING

BEFORE USING THIS TOOL, STUDY THIS MANUAL TO ENSURE SAFETY WARNING AND INSTRUCTIONS. KEEP THESE INSTRUCTIONS WITH THE TOOL FOR FUTURE REFERENCE.

1. GENERAL SAFETY WARNINGS



WARNING

READ ALL SAFETY WARNINGS AND ALL INSTRUCTIONS.

Failure to follow the warnings and instructions may result in death serious injury. **Save all warnings and instructions for future reference.**



1. WEAR SAFETY GLASSES OR GOGGLES

Danger to the eyes always exists due to the possibility of dust being blown up by the exhausted air or of a fastener flying up due to the improper handling of the tool. For these reasons, safety glasses or goggles shall always be worn when operating the tool.

The employer and/or user must ensure that proper eye protection is worn. Eye protection equipment must conform to the requirements of the Council Directive 89/686/EEC of 21 DEC. 1989 (American National Standards Institute, ANSI Z87.1) and provide both frontal and side protection.

The employer is responsible to enforce the use of eye protection equipment by the tool operator and all other personnel in the work area.

NOTE: Non-side shielded spectacles and face shields alone do not provide adequate protection.



2. EAR PROTECTION MAY BE REQUIRED IN SOME ENVIRONMENTS

As the working condition may include exposure to high noise levels which can lead to hearing damage, the employer and user should ensure that any necessary hearing protection is provided and used by the operator and others in the work area.



3. KEEP HANDS AND BODY AWAY FROM THE DISCHARGE OUTLET

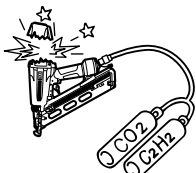
When loading and using the tool, never place a hand or any part of body in fastener discharge area of the tool. It is very dangerous to hit the hands or body by mistake.



4. DO NOT USE ON SCAFFOLDINGS AND LADDERS

Do not use on scaffoldings and ladders with fastener driving tools equipped with contact actuation or continuous contact actuation.

2. SAFETY WARNING



1. DO NOT USE ANY POWER SOURCE EXCEPT AN AIR COMPRESSOR

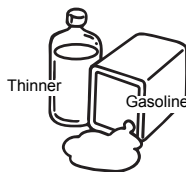
The tool is designed to operate on compressed air. Do not operate the tool on any other highpressure gas, combustible gases (e.g., oxygen, acetylene, etc.) since there is the danger of an explosion. For this reason, absolutely do not use anything other than an air compressor to operate the tool.



2. OPERATE WITHIN THE PROPER AIR PRESSURE RANGE

The tool is designed to operate within an air pressure range of 5 to 7 bar (70 to 100 p.s.i.).

The pressure should be adjusted to the type of the work being fastened. The tool shall never be operated when the operating pressure exceeds 8.3 bar (120 p.s.i.). Never connect the tool to air pressure which potentially exceeds 13.8 bar (200 p.s.i.) as the tool can burst.



3. DO NOT OPERATE THE TOOL NEAR A FLAMMABLE SUBSTANCE

Never operate the tool near a flammable substance (e.g., thinner, gasoline, etc.). Volatile fumes from these substances could be drawn into the compressor and compressed together with the air and this could result in an explosion.

4. NEVER USE THE TOOL IN AN EXPLOSIVE ATMOSPHERE

Sparks from the tool may ignite atmospheric gases, dust or other combustible materials.

5. DO NOT USE A WRONG FITTINGS

The connector on the tool must not hold pressure when air supply is disconnected. If a wrong fitting is used, the tool can remain charged with air after disconnecting and thus will be able to drive a fastener even after the air line is disconnected, possibly causing injury.



6. DISCONNECT THE AIR SUPPLY AND EMPTY THE MAGAZINE WHEN THE TOOL IS NOT IN USE

Always disconnect the air supply from the tool and empty the magazine when operation has been completed or suspended, when unattended, moving to a different work area, adjusting, disassembling, or repairing the tool, and when clearing a jammed fastener.



7. INSPECT SCREW TIGHTNESS

Loose or improperly installed screws or bolts cause accidents and tool damage when the tool is put into operation. Inspect to confirm that all screws and bolts are tight and properly installed prior to operating the tool.



8. DO NOT TOUCH THE TRIGGER UNLESS YOU INTEND TO DRIVE A FASTENER

Whenever the air supply is connected to the tool, never touch the trigger unless you intend to drive a fastener into the work. It is dangerous to walk around carrying the tool with the trigger pulled, and this and similar actions should be avoided.

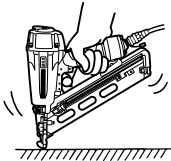


9. NEVER POINT THE DISCHARGE OUTLET TOWARD YOURSELF AND OTHER PERSONNEL

If the discharge outlet is pointed toward people, serious accidents may be caused when misfiring. Be sure the discharge outlet is not pointed toward people when connecting and disconnecting the hose, loading and unloading the fasteners or similar operations.

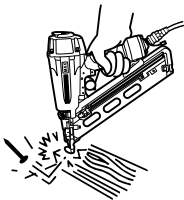
10. USE SPECIFIED FASTENERS (SEE PAGE 7)

The use of fasteners other than specified fasteners will cause the tool malfunction. Be sure to use only specified fasteners when operating the tool.



11. PLACE THE DISCHARGE OUTLET ON THE WORK SURFACE PROPERLY

Failure to place the discharge outlet of the nose in a proper manner can result in a fastener flying up and is extremely dangerous.



12. DO NOT DRIVE FASTENERS CLOSE TO THE EDGE AND CORNER OF THE WORK AND THIN MATERIAL

The workpiece is likely to split and the fastener could fly free and hit someone.



13. DO NOT DRIVE FASTENERS ON TOP OF OTHER FASTENERS

Driving fasteners on the top of other fasteners may cause deflection fasteners which could cause injury.

14. REMOVING THE FASTENERS AFTER COMPLETING OPERATION

If fasteners are left in the magazine after the completion of operation, there is the danger of a serious accident occurring prior to the resumption of operation, should the tool be handled carelessly, or when connecting the air fitting. For this reason, always remove all fasteners remaining in the magazine after completion of the operation.

15. CHECK OPERATION OF THE CONTACT TRIP MECHANISM FREQUENTLY IN CASE OF USING A CONTACT TRIP TYPE TOOL

Do not use the tool if the trip is not working correctly as accidental driving of a fastener may result. Do not interfere with the proper operation of the contact trip mechanism.



16. WHEN USING THE TOOL OUTSIDE OR ELEVATED PLACE

When fastening roofs or similar slanted surface, start fastening at the lower part and gradually work your way up. Fastening backward is dangerous as you may lose your foot place.

Secure the hose at a point close to the area you are going to drive fasteners. Accidents may be caused due to the hose being pulled inadvertently or getting caught.

17. NEVER USE THE TOOL IF ANY PORTION OF THE TOOL CONTROLS (e.g., TRIGGER, CONTACT ARM) IS INOPERABLE, DISCONNECTED, ALTERED OR NOT WORKING PROPERLY

18. NEVER ACTUATE THE TOOL INTO FREE SPACE

This will avoid any hazard caused by free flying fasteners and excessive strain of the tool.

19. ALWAYS ASSUME THAT THE TOOL CONTAINS FASTENERS

20. RESPECT THE TOOL AS A WORKING IMPLEMENT

21. NO HORSEPLAY

22. NEVER LOAD THE TOOL WITH FASTENERS WHEN ANY ONE OF THE OPERATING CONTROLS (e.g., TRIGGER, CONTACT ARM) IS ACTIVATED

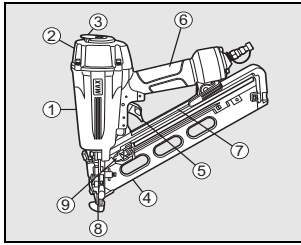
23. WHEN DISPOSING THE MACHINE OR ITS PARTS, FOLLOW THE RELEVANT NATIONAL RULES
24. ALWAYS WEAR HEAD PROTECTION, SAFETY SHOES AND MASK FOR APPROPRIATE CONDITIONS

OBSERVE THE FOLLOWING GENERAL CAUTION IN ADDITION TO THE OTHER WARNINGS CONTAINED IN THIS MANUAL

- Do not use the tool as a hammer.
- Always carry the tool by the grip, never carry the tool by the air hose.
- The tool must be used only for the purpose it was designed.
- Never remove, tamper with the operating controls (e.g., TRIGGER, CONTACT ARM)
- Keep the tool in a dry place out of reach of children when not in use.
- Do not use the tool without Safety Warning label.
- Do not modify the tool from original design or function without approval by MAX CO., LTD.
- Do not use the tool when you feel something unusual. (Air leak, strange noise, operating unusually.)

3. SPECIFICATIONS AND TECHNICAL DATA

1. NAME OF PARTS



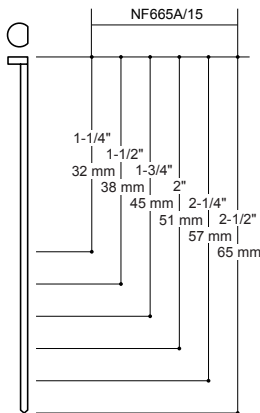
- ① Frame
- ② Cylinder Cap
- ③ Exhaust Cover
- ④ Magazine
- ⑤ Trigger
- ⑥ Grip
- ⑦ Warning Label
- ⑧ Outlet
- ⑨ Pusher

2. TOOL SPECIFICATIONS

PRODUCT NO.	NF665A/15
HEIGHT	322 mm (12-5/8")
WIDTH	94 mm (3-11/16")
LENGTH	322 mm(12-5/8")
WEIGHT	1.8 kg (3.97 lbs)
RECOMMENDED OPERATING PRESSURE	5 to 7 bar (70 to 100 p.s.i.)
LOADING CAPACITY	106 Nails
AIR CONSUMPTION	1.44 ℓ (0.051ft ³) at 7 bar operating pressure

* The machine has been compactly designed in order to improve operating weight balance.

3. BRAD NAIL SPECIFICATIONS



Wire gauge: 15

TOOL AIR FITTINGS:

This tool uses a 1/4" N.P.T. male plug. The inside diameter should be 7mm (.28") or larger. The fitting must be capable of discharging tool air pressure when disconnected from the air supply.

RECOMMENDED OPERATING PRESSURE:

5 to 7 bar (70 to 100 p.s.i.). Select the operating air pressure within this range for best fastener performance.

DO NOT EXCEED 8.3 bar (120 p.s.i.).

4. TECHNICAL DATA

① NOISE

A-weighted single-event sound power level

----- LWA, 88.8 dB

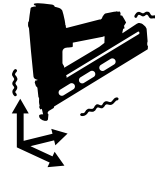
Uncertainty (KWA): 3 dB

A-weighted single-event emission sound pressure level at work station

----- LpA, 87.2 dB

Uncertainty (KpA): 3 dB

These values are determined and documented in accordance with EN12549 : 1999.



② VIBRATION

Vibration characteristic value

= 3.04 m/s²

Uncertainty(K): 1.5 m/s²

These values are determined and documented in accordance with ISO 8662-11.

This value is a tool-related characteristic value and does not represent the influence to the hand-arm-system when using the tool. An influence to the hand-arm-system when using the tool will, for example, depend on the gripping force, the contact pressure force, the working direction, the adjustment of mains supply, the workpiece, the workpiece support.

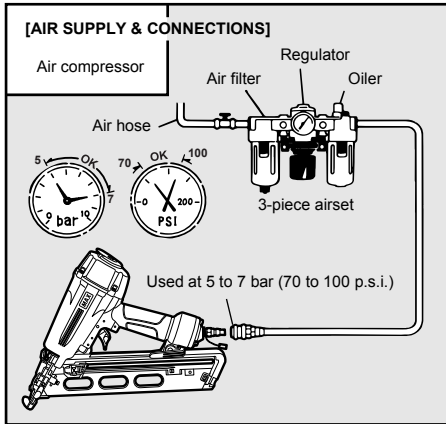
5. APPLICATIONS

- * Door and window casings
- * Plywood, decorative boards, and other interior finish works
- * Panel assembly and moldings
- * Sub flooring
- * Furniture assembly including drawer assembly, case back nailing, blind pinning, and other finishing works
- * Cabinet assembly

4. AIR SUPPLY AND CONNECTIONS



WARNING



FITTINGS: Install a male plug on the tool which is free flowing and which will release air pressure from the tool when disconnected from the supply source.

HOSES: Hose has a min. ID of 6 mm (1/4") and max. length of no more than 5 meters (17'). The supply hose should contain a fitting that will provide "quick disconnecting" from the male plug on the tool.

SUPPLY SOURCE: Use only clean regulated compressed air as a power source for the tool.

3-PIECE AIRSET (Air filter, Regulator, Oiler): Refer to TOOL SPECIFICATIONS for setting the correct operating pressure for the tool.

NOTE:
A filter will help to get the best performance and minimum wear from the tool because dirt and water in the air supply are major causes of wear in the tool.
Frequent, but not excessive, lubrication is required for the best performance. Oil added thru the air line connection will lubricate the internal parts.

5. INSTRUCTIONS FOR OPERATION

Read section titled "GENERAL SAFETY WARNINGS", "SAFETY WARNING"

1. BEFORE OPERATION

Check the following prior operation.

- 1 Wear Safety Glasses or Goggles.
- 2 Do not connect the air supply.
- 3 Inspect screw tightness.
- 4 Check operation of the contact arm & trigger if moving smoothly.
- 5 Connect the air supply.
- 6 Check the air-leakage. (The Tool must not have the air-leakage.)
- 7 Hold the Tool with finger-off the trigger, then push the contact arm against the work-piece. (The tool must not operate.)
- 8 Hold the Tool with contact arm free from work-piece and pull the trigger. (The Tool must not operate.)
- 9 Disconnect the air supply.



WARNING



2. OPERATION

Wear safety glasses or goggles. Danger to the eyes always exists due to the possibility of dust being blown up by the exhausted air or of a fastener flying up due to the improper handling of the tool. For these reasons, safety glasses or goggles shall always be worn when operating the tool.

The employer and/or user must ensure that proper eye protection is worn. Eye protection equipment must conform to the requirements of the Council Directive 89/686/EEC of 21 DEC. 1989 (American National Standards Institute, ANSI Z87.1) and provide both frontal and side protection.

The employer is responsible to enforce the use of eye protection equipment by the tool operator and all other personnel in the work area.

NOTE: Non-side shielded spectacles and face shields alone do not provide adequate protection.

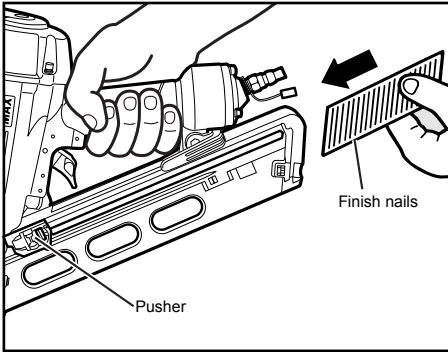


WARNING

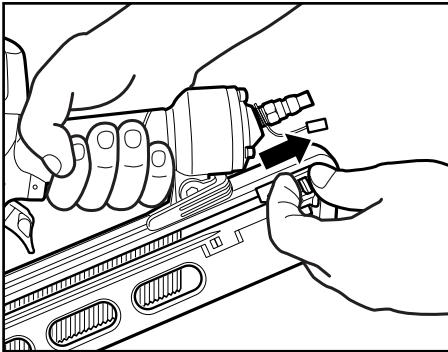


Keep hands and body away from the discharge outlet when driving the fasteners because of dangerous of hitting the hands or body by mistake.

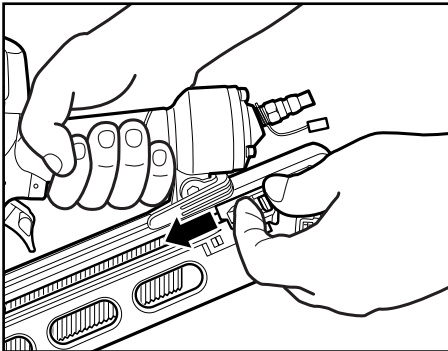
NAIL LOADING



- ① Insert the finish nails into the magazine.



- ② Pull back the pusher.



- ③ Release and return the pusher.

TEST OPERATION

- ① Adjust the air pressure at 5 bar (70p.s.i.) and connect the air supply.
- ② Without touching the trigger, depress the contact arm against the work-piece. Pull the trigger (The tool must fire the fastener.)
- ③ With the tool off the work-piece, pull the trigger. Then depress the connect arm against the work-piece. (The tool must fire the fastener when you select contact actuation.)
- ④ Adjust the air pressure as much as the lowest possible according the length of fastener and the hardness of work piece.

AIR HOSE CONNECTION

Connect the air chuck to the air plug.



WARNING

When connecting the air chuck, do not point the nail discharge outlet at any part of your body or at another person, and do not touch the trigger.

DRIVING FASTENERS

NOTE :

This tool is shipped with SEQUENTIAL TRIP selected.

SEQUENTIAL TRIP

The Sequential Trip requires the operator hold the tool against the work before pulling the trigger.

This makes accurate fastener placement easier, for instance on framing, toe nailing and crating applications.

The Sequential Trip allows exact fastener location without the possibility of driving a second fastener on recoil, as described under "Contact Trip".

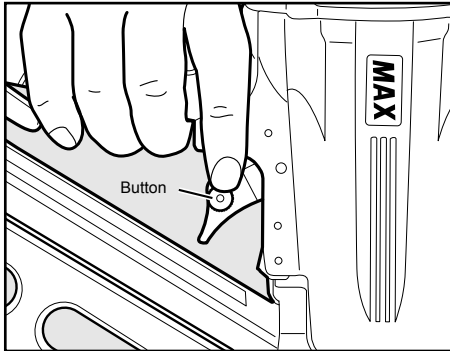
The Sequential Trip Tool has a positive safety advantage because it will not accidentally drive a fastener if the tool is contacted against the work or anything else-while the operator is holding the trigger pulled.

Switching SEQUENTIAL TRIP to CONTACT TRIP

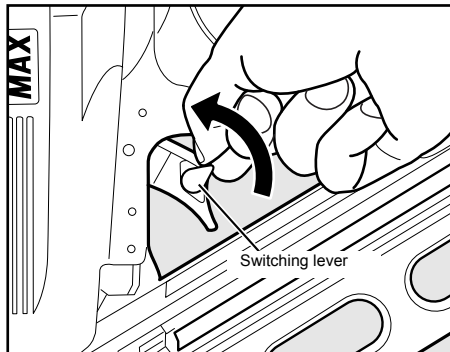


WARNING

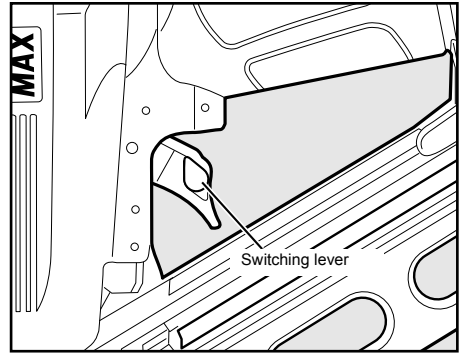
ALWAYS disconnect air supply before switching the triggering method.



① Press the button on the trigger.



② Turn the switching lever in the direction of the arrow.

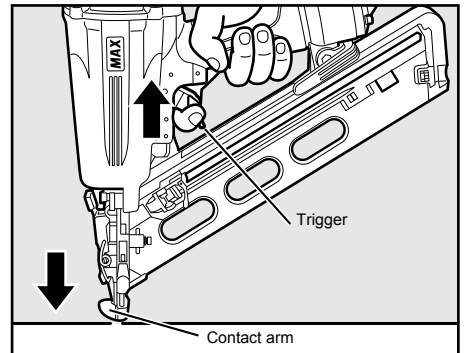


③ Set the switching lever as above picture.

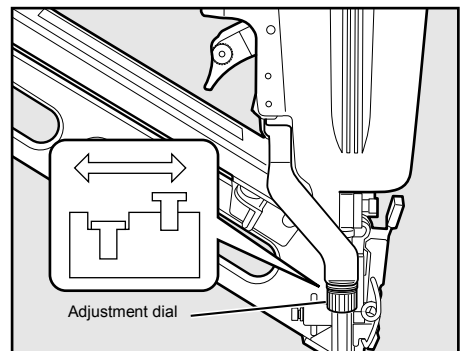
CONTACT TRIP

The common operating procedure on "Contact Trip" tools is for the operator to contact the work to actuate the trip mechanism while keeping the trigger pulled, thus driving a fastener each time the work is contacted.

All pneumatic tools are subject to recoil when driving fasteners. The tool may bounce, releasing the trip, and if unintentionally allowed to recontact the work surface with the trigger still actuated (finger still holding trigger pulled) an unwanted second fastener will be driven.



DRIVING DEPTH ADJUSTMENT DIAL



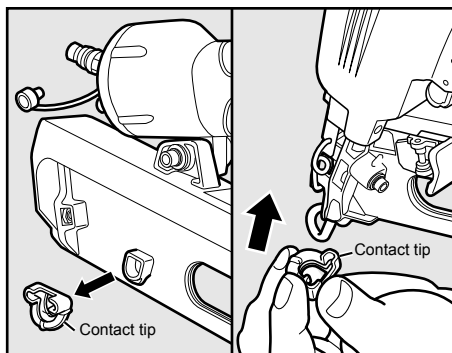


WARNING

ALWAYS disconnect air supply before adjusting adjustment dial.

- ① If an adjustment is required, disconnect air supply.
- ② Refer to the figure for direction to turn the dial.
- ③ Reconnect air supply.

THE CONTACT TIP

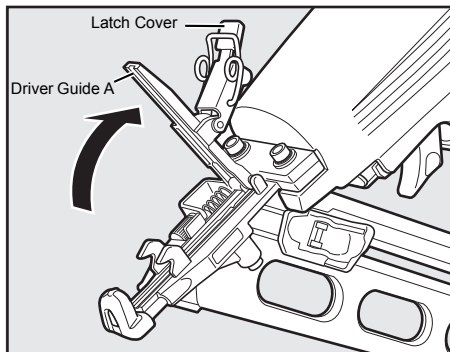


WARNING

ALWAYS disconnect air supply before setting the contact tip. Set the contact tip on the top of the contact arm, when driving nails to a soft material.

Use the contact tip at the back of the rear side of the magazine as necessary.

CLEARING JAMMED NAILS

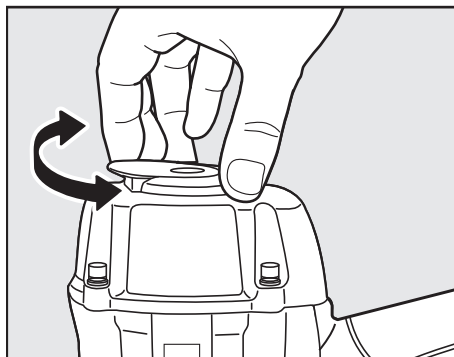


WARNING

ALWAYS disconnect air supply before clearing jammed nails.

- ① Disconnect the air hose.
- ② Remove the set of nails from the magazine.
- ③ Open the Latch Cover, then pull up to open the Driver Guide A.
- ④ Clear the nails-jammed inside the driver guide using a thin iron bar or a flat-blade screw driver.
- ⑤ Close the Driver Guide A and the Latch Cover.

DIRECTIONAL EXHAUST COVER



WARNING

ALWAYS disconnect air supply before rotating the exhaust cover.

Direction of the exhaust air is changeable by rotating exhaust cover by hand.

6. MAINTENANCE

1 ABOUT PRODUCTION YEAR

This product bears production number at the lower part of the grip of the main body. The two digits of the number from left indicates the production year.

(Example)

1 6 8 2 6 0 3 5 D



Year 2016

2 DO NOT FIRE THE NAILER WHEN IT IS EMPTY

3 USE A 3-PIECE AIRSET

Failure to use a 3-piece airset allows the moisture and dirt inside compressor to pass into the tool directly. This causes rust and wear, and results in a poor operating performance. The hose length between airset and tool should be no longer than 5 m since a longer length results in a reduction in air pressure.

4 USE RECOMMENDED OIL

The spindle or turbine oil should be used to lubricate the tool. Upon completion of operations, place 2 or 3 drops of oil into the air plug inlet with the oiler. (Recommended Oil : ISO VG32)

5 INSPECT AND MAINTAIN DAILY OR BEFORE OPERATION



WARNING

Disconnect air supply and empty the magazine when inspecting or maintaining the tool.

- (1) Drain air line filter and compressor
- (2) Keep lubricator filled in air 3-pieces set
- (3) Clean filter element of air 3-pieces set
- (4) Tighten all screws

7. STORAGE

- 1 When not in use for an extended period, apply a thin coat of the lubricant to the steel parts to avoid rust.
- 2 Do not store the tool in a cold weather environment. Keep the tool in a warm area.
- 3 When not in use, the tool should be stored in a warm and dry place. Keep out of reach of children.
- 4 All quality tools will eventually require servicing or replacement of parts because of wear from the normal use.

8. TROUBLE SHOOTING/REPAIRS

The troubleshooting and/or repairs shall be carried out only by the MAX CO., LTD. authorised distributors or by other specialists with specified spare parts.

INHALTSVERZEICHNIS

1. ALLGEMEINE SICHERHEITSHINWEISE	13
2. SICHERHEITSVORSCHRIFTEN	14
3. SPEZIFIKATIONEN UND TECHNISCHE DATEN	17
4. DRUCKLUFTZUFUHR UND ANSCHLÜSSE	18
5. BETRIEBSVORSCHRIFTEN	18
6. WARTUNG	22
7. LAGERUNG	22
8. STÖRUNGSBESEITIGUNG/REPARATUREN	22



WARNUNG

**LESEN SIE VOR INBETRIEBNAHME DES GERÄTES DIE GEBRAUCHS- UND SICHERHEITSHINWEISE.
BITTE BEWAHREN SIE DIE GEBRAUCHS- UND SICHERHEITSHINWEISE AUF, DAMIT SIE AUCH SPÄTER EINGESEHEN WERDEN KÖNNEN.**

1. ALLGEMEINE SICHERHEITSHINWEISE



WARNUNG

LESEN SIE DIE BETRIEBSANLEITUNG

Lesen Sie die Betriebsanleitung vor dem Aufstellen, der Inbetriebnahme oder dem Einstellen des Kompressors sorgfältig durch.



1. SCHUTZBRILLE TRAGEN

Eine Gefahr für die Augen könnte bestehen durch wegblasenden Staub, durch die herausströmende Luft oder durch wegfliegende Befestiger aufgrund von nicht fachgerechter Handhabung. Deshalb muss bei jedem Gebrauch eine Schutzbrille getragen werden.

Der Arbeitgeber und/oder Anwender muss sicherstellen, dass richtiger Augenschutz getragen wird. Der Augenschutz muss den Anforderungen der Ratsrichtlinie 89/686/EWG vom 21. Dez. 1989 (des American National Standards Institute, ANSI Z87.1) entsprechen und sowohl vordere als auch seitlichen Schutz bieten.

Der Arbeitgeber ist dafür verantwortlich, dass die Vorschriften zum Augenschutz von allen Benutzern des Werkzeugs sowie allen im Arbeitsbereich befindlichen Personen befolgt werden.

HINWEIS: Brillen und Gesichtsschirme ohne Seitenschutz bieten keinen ausreichenden Schutz.



2. GEHÖRSCHUTZ KANN IN MANCHEN FÄLLEN ERFORDERLICH SEIN.

Bei manchen Arbeiten kann der Geräuschpegel so hoch sein, dass es zu Gehörverletzungen kommen kann, daher sollten der Benutzer und anwesende Personen einen Gehörschutz tragen.



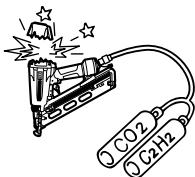
3. HALTEN SIE DIE HÄNDE UND DEN KÖRPER IMMER VON DER ENTLADEÖFFNUNG ENTFERNT.

Beim Nachladen und Gebrauch des Gerätes halten Sie stets Hände und Körper aus dem Bereich der Entladeöffnung entfernt. Bei falschem Gebrauch besteht die Gefahr, Hände oder Körper zu verletzen.



- 4. NICHT AUF GERÜSTEN UND LEITERN VERWENDEN**
Nicht auf Gerüsten und Leitern verwenden, wenn das Eintreibgerät mit einem Kontaktgriff oder einem Dauerkontaktgriff ausgestattet ist.

2. SICHERHEITSVORSCHRIFTEN



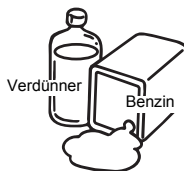
1. VERWENDEN SIE KEINE ANDEREN ENERGIEQUELLEN ALS DEN DRUCKLUFTKOMPRESSOR.

Das Gerät ist nur mit einem Druckluftkompressor zu verwenden. Verwenden Sie das Gerät nicht mit Hochdruckgas, Treibgas (z.B. Sauerstoff, Azetylen) aufgrund der Explosionsgefahr. Verwenden Sie aus diesem Grund nichts anderes als einen Druckluftkompressor für den Betrieb des Werkzeugs.



2. ARBEITEN SIE NUR MIT DEM RICHTIGEN LUFTDRUCK.

Das Werkzeug ist auf einen Betriebsluftdruck von 5 bis 7 bar (70 bis 100 p.s.i.) ausgelegt. Der Druck sollte den verschiedenen Arbeiten angepasst werden. Das Gerät sollte nie bei einem Druck von mehr als 8,3 bar (120 p.s.i.) verwendet werden. Das Werkzeug niemals an eine Druckluftversorgung, deren Druck eventuell 13,8 bar (200 p.s.i.) überschreiten kann, anschließen, da das Werkzeug sonst bersten kann.



3. VERWENDEN SIE DAS GERÄT NICHT NEBEN LEICHT ENTLAMMBAREN SUBSTANZEN.

Arbeiten Sie nie neben leicht entflammaren Substanzen (Verdüner, Benzin usw.). Ausströmende Gase von diesen Flüssigkeiten können in den Kompressor gelangen und mit der Luft komprimiert werden. Dabei kann es zu einer Explosion kommen.

4. DAS WERKZEUG NIE IN EINER EXPLOSIVEN ATMOSPHÄRE BENUTZEN.

Die Funken vom Werkzeug können atmosphärische Gase, Staub oder andere brennbare Materialien anzünden.

5. VERWENDEN SIE NUR RICHTIGE ANSCHLUSSSTÜCKE.

Der Druckluftanschluss muss so am Gerät montiert werden, dass beim Abschalten der Druckluftzufuhr sämtliche Luft aus dem Gerät entweichen kann. Wenn ein falsches Anschlussstück verwendet wird, kann im Gerät verbliebene Luft Restenergie für einen Eintreibvorgang freisetzen und dabei Verletzungen verursachen.



6. WENN DAS WERKZEUG NICHT IN BETRIEB IST, DIE DRUCKLUFTZUFUHR ABSCHALTEN UND DAS MAGAZIN LEEREN.

In den folgenden Fällen muss unbedingt die Druckluftzufuhr zum Werkzeug abgeschaltet und das Magazin entleert werden: wenn die Arbeit unterbrochen wird oder beendet ist, wenn das Werkzeug unbeaufsichtigt gelassen wird, wenn die Arbeit in einem anderen Arbeitsbereich fortgesetzt werden soll, oder wenn das Werkzeug einjustiert, zerlegt, repariert oder ein festgeklebter Befestiger gelöst wird.



7. ÜBERPRÜFEN SIE DIE FESTIGKEIT DER SCHRAUBEN.

Lockere oder schlecht montierte Schrauben oder Bolzen können einen Unfall und einen Schaden am Gerät verursachen, wenn das Gerät in Betrieb genommen wird. Überprüfen Sie die Festigkeit und richtige Montage der zu verwendenden Schrauben und Bolzen vor Gebrauch.



8. BERÜHREN SIE DEN BETÄTIGUNGHEBEL NUR BEI GEBRAUCH DES GERÄTES.

Berühren Sie nie den Betätigungshebel, wenn die Druckluftzufuhr zum Werkzeug eingeschaltet ist, außer Sie befestigen oder verbinden Material miteinander. Es ist gefährlich mit dem Werkzeug bei gezogenem Betätigungshebel umherzugehen. Diese und ähnliche Situationen sollten vermieden werden.

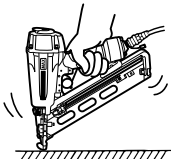


9. DIE ENTLADEÖFFNUNG NIEMALS AUF EIN KÖRPERTEIL ODER EINE ANDERE PERSON RICHTEN.

Wenn die Entladeöffnung auf eine andere Person gerichtet wird, kann durch eine unbeabsichtigte Aktivierung des Auslösers ein schwerer Unfall verursacht werden. Beim Anschließen und Abnehmen des Druckluftschlauchs, beim Laden und Entladen der Befestiger und bei ähnlichen Arbeitsgängen unbedingt darauf achten, dass die Entladeöffnung nicht auf eine andere Person gerichtet ist.

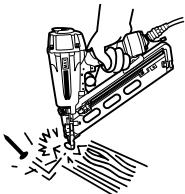
10. VERWENDEN SIE NUR ANGEGEBENE BEFESTIGER. (SIEHE SEITE 17)

Bei anderen Befestigern besteht die Gefahr einer Zerstörung des Gerätes. Verwenden Sie für den Betrieb des Gerätes stets nur die vom Hersteller zugelassenen Befestiger.



11. DIE ENTLADEÖFFNUNG RICHTIG AUF DIE ARBEITSOBERFLÄCHE SETZEN.

Wenn Sie die Entladeöffnung der Nase nicht richtig platzieren, kann ein Befestiger wegfiegen und dies ist sehr gefährlich.



12. VERWENDEN SIE DAS GERÄT NICHT ZU NAHE AM RAND UND BEI ZU DÜNNEN MATERIALIEN.

Das Werkstück kann brechen und der Befestiger kann wegfiegen und dadurch Personen verletzen.



13. SCHLAGEN SIE KEINE BEFESTIGER AUF BEREITS EINGETRIEBENE BEFESTIGER.

In so einem Fall kann es durch wegspringende Befestiger zu Verletzungen kommen.

14. NACH GEBRAUCH DES GERÄTES ENTFERNEN SIE ALLE BEFESTIGER.

Bei nicht funktionstüchtigem Magazin zurückbleiben, kann es bei unvorsichtigem Transport oder Anschließen des Druckluftkompressors zu Verletzungen kommen. Aus diesem Grund entfernen Sie nach Beendigung des Betriebs immer alle Befestiger aus dem Magazin.

15. ÜBERPRÜFEN SIE STETS DEN KONTAKTAUSLÖSER AUF SEINE WIRKSAMKEIT.

Bei nicht funktionstüchtigem Kontaktauslöser unterlassen Sie die Verwendung des Gerätes auf Grund der zu großen Verletzungsgefahr. Manipulieren Sie nicht am Kontaktauslöser.



16. VERWENDEN DES GERÄTES IM FREIEN ODER AUF ERHÖHUNGEN.

Bei der Montage von Dächern oder ähnlich geneigten Oberflächen beginnen Sie im unteren Teil. Arbeiten Sie sich dann langsam nach oben. Eine Rückwärtsmontage ist gefährlich, da Sie mit dem Fuß abrutschen können. Bringen Sie den Druckluftschlauch an einem Punkt in der Nähe des Bereichs an, in dem Sie die Befestiger eintreiben möchten. Durch ein versehentliches Ziehen am Druckluftschlauch oder durch ein Hängenbleiben kann es zu Unfällen kommen.

17. DAS WERKZEUG NIE BENUTZEN WENN IRGEND EIN TEIL DER WERKZEUGKONTROLLEN (z.B., TRIGGERKONTAKTARM) FUNKTIONSFÄHIG, GETRENNT, GEÄNDERT WIRD ODER NICHT RICHTIG FUNKTIONIERT.

18. NIEMALS IN DIE LUFT NAGELN/HEFTEN.

Es besteht sonst Gefahr durch umherfliegende Befestiger, außerdem wird das Werkzeug übermäßig stark beansprucht.

19. NEHMEN SIE STETS AN, DASS SICH BEFESTIGER IM WERKZEUG BEFINDEN.

20. DAS WERKZEUG IST STETS ALS ARBEITSGERÄT ZU BETRACHTEN.

21. NIEMALS DAS WERKZEUG ALS SPIELZEUG BENUTZEN.

22. NIEMALS DAS WERKZEUG MIT BEFESTIGUNGSTEILEN LADEN, WENN EINES DER BEDIENUNGSELEMENTE AKTIVIERT IST (z.B. AUSLÖSER, KONTAKTHEBEL).

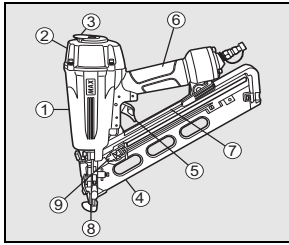
23. WENN SIE DIE MASCHINE ODER IHRE TEILE ENTSORGEN, BITTE BEACHTEN SIE DIE RELEVANTEN NATIONALEN REGELUNGEN
24. TRAGEN SIE IMMER KOPFSCHUTZ, SICHERHEITSSCHUHE UND MASKE FÜR DIE ENTSPRECHENDEN BEDINGUNGEN.

LESEN SIE DIE FOLGENDEN ALLGEMEINEN VORSICHTSMASSNAHMEN UND DIE ANDEREN WARNHINWEISE IN DIESER ANLEITUNG

- Verwenden Sie das Gerät nicht als Hammer.
- Das Werkzeug immer am Griff und niemals am Druckluftschlauch tragen.
- Verwenden Sie das Gerät nur für solche Arbeiten, für die es entworfen wurde.
- Niemals die Bedienungselemente ausbauen oder modifizieren (z.B. AUSLÖSER, KONTAKTHEBEL).
- Bewahren Sie das Gerät in trockenen Räumen und an für Kinder nicht zugänglichen Stellen auf.
- Verwenden Sie das Gerät nicht ohne Sicherheitsaufkleber.
- Führen Sie keine Änderungen am Gerät durch ohne ausdrückliche Genehmigung von MAX Co.,Ltd.
- Verwenden Sie das Gerät nicht, wenn Sie Unregelmäßigkeiten feststellen (Luftverlust, merkwürdige Geräusche, ungewöhnliches Betriebsverhalten).

3. SPEZIFIKATIONEN UND TECHNISCHE DATEN

1. BEZEICHNUNG DER TEILE



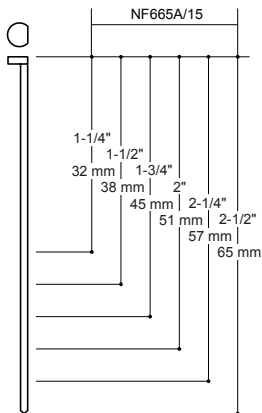
- ① Gehäuse
- ② Zylinderdeckel
- ③ Austrittsabdeckung
- ④ Magazin
- ⑤ Betätigungshebel
- ⑥ Griff
- ⑦ Sicherheitsaufkleber
- ⑧ Entladeöffnung
- ⑨ Drücker

2. TECHNISCHE DATEN DES WERKZEUGS

PRODUKT-NR.	NF665A/15
HÖHE	322 mm (12-5/8")
BREITE	94 mm (3-11/16")
LÄNGE	322 mm(12-5/8")
GEWICHT	1.8 kg(3.97 lbs)
EMPFOHLENER BETRIEBSDRUCK	5 bis 7 bar (70 bis 100 p.s.i.)
LADEKAPAZITÄT	106 Nägel
DRUCKLUFTVERBRAUCH	1,44 l (0,051ft ³) bei 7 bar Betriebsdruck

* Die Maschine wurde kompakt konstruiert, um ein bestmögliches Betriebsgewicht zu erhalten.

3. STIFTNAGELSPZIFIKATION



Wire gauge: 15

DRUCKLUFTANSCHLUSSSTÜCKE:

Dieses Werkzeug ist mit einem 6 mm (1/4") N.P.T. Schnellverschluss ausgestattet. Der Innendurchmesser sollte 7 mm (0,28") oder größer sein. Das Anschlussstück muss eine Druckentlastung des Gerätes bei unterbrochener Druckluftzufuhr ermöglichen.

EMPFOHLENER BETRIEBSDRUCK:

5 bis 7 bar (70 bis 100 p.s.i.) Zur Gewährleistung einer optimalen Befestigerleistung ist der Luftdruck innerhalb dieses Bereiches einzustellen.

DER BETRIEBSDRUCK DARF NICHT MEHR ALS 8.3 BAR (120 p.s.i.) BETRAGEN.

4. TECHNISCHE DATEN

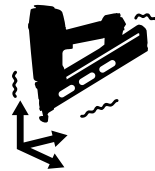
① GERÄUSCHPEGEL

A-Impulsschalleistungspegel

----- LWA, 88,8 dB
 Unsicherheit (KWA): 3 dB

A-Impulsschalldruckpegel

----- LpA, 87,2 dB
 Festlegung und Angabe der Werte gemäß EN12549: 1999.



② SCHWINGUNGEN

Schwingungskennwert

= 3,04 m/s²
 Unsicherheit (K): 1,5 m/s²

Diese Werte werden entsprechend ISO 8662-11 festgestellt und dokumentiert.

Dieser Wert hängt mit Eigenschaftswert des Werkzeugs zusammen und bedeutet nicht den Einfluß zum Hand/Arm-System, wenn Sie das Werkzeug verwenden. Ein Einfluß zum Hand/Arm-System, wenn Sie das Werkzeug verwenden, wird zum Beispiel von der ergreifenden Kraft, der Kontaktdruckkraft, der Arbeitsrichtung, der Einstellung der Hauptluftzufuhr, des Werkstücks, des Werkstückträgers, abhängen.

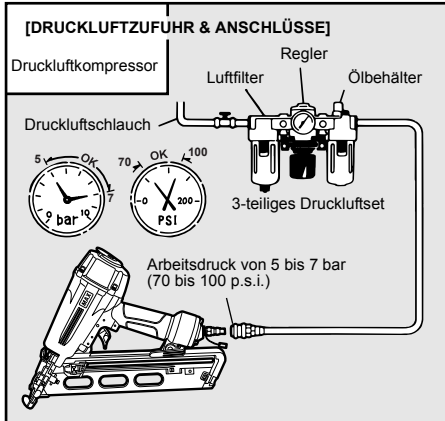
5. EINSATZGEBIETE

- * Anbringen von Tür- und Fensterzargen
- * Anbringen von Zierbrettern aus Sperrholz andere Innenausbauarbeiten
- * Plattenmontage und Anbringen von Formteilen
- * Unterbodenbau
- * Möbelmontage einschließlich Schubladenmontage, annageln von schrankrückwänden, verdeckte Nagelung und andere Endarbeiten
- * Schrankmontage

4. DRUCKLUFTZUFUHR UND ANSCHLÜSSE



WARNUNG



ANSCHLUSSSTÜCKE: Installieren Sie einen Schnellverschluss am Gerät, der beim Abschalten des Gerätes die restliche Luft im Gerät freigibt.

SCHLÄUCHE: Der Schlauch hat einen Mindestinnendurchmesser von 6 mm (1/4") und eine maximale Länge von 5 m (17'). Der Schlauch sollte einen Schnellverschluss zum Hauptgerät haben.

ENERGIEQUELLE: Verwenden Sie nur saubere, geregelte Druckluft als Energiequelle.

3-TEILIGES DRUCKLUFTSET: (Luftfilter, Regler, Ölbehälter). Lesen Sie die "GERÄTEHINWEISE" zur Einstellung des richtigen Betriebsdrucks.

HINWEIS:

Der Filter trägt dazu bei, die bestmögliche Leistung und den geringstmöglichen Verschleiß des Gerätes zu erzielen. Staub und Wasser würden sonst große Abnutzungserscheinungen am Gerät hinterlassen.

Das Gerät sollte regelmäßig geschmiert werden, um die beste Leistung zu erzielen. Durch die Luftleitung eingeführtes Öl schmirt das Geräteinnere.

5. BETRIEBSVORSCHRIFTEN

Lesen Sie die Abschnitte mit den Titeln "ALLGEMEINE SICHERHEITSHINWEISE" und "SICHERHEITSVORSCHRIFTEN".

1. VOR DER INBETRIEBSETZUNG

Vor dem Betrieb muss Folgendes geprüft werden.

- 1 Schutzbrille tragen.
- 2 Druckluftzufuhr noch nicht einschalten.
- 3 Schrauben auf festen Sitz prüfen.
- 4 Funktion des Kontaktarms prüfen und Betätigungshebel auf Leichtgängigkeit prüfen.
- 5 Druckluftzufuhr einschalten.
- 6 Das Werkzeug auf Luftverlust prüfen. (Es darf kein Luftverlust an dem Werkzeug auftreten.)
- 7 Das Werkzeug festhalten (Es darf kein Finger am Betätigungshebel liegen) und dann den Kontaktarm gegen das Werkstück drücken. (Das Werkzeug darf nicht laufen.)
- 8 Das Werkzeug so halten, daß der Kontaktarm nicht am Werkstück anliegt, und den Betätigungshebel drücken. (Das Werkzeug darf nicht laufen.)
- 9 Die Druckluftzufuhr abschalten.



WARNUNG



2. INBETRIEBSETZUNG

Schutzbrille tragen. Eine Gefahr für die Augen könnte bestehen durch wegblasenden Staub, durch die herausströmende Luft oder durch wegfliegende Befestiger aufgrund von nicht fachgerechter Handhabung. Deshalb muss bei jedem Gebrauch eine Schutzbrille getragen werden.

Der Arbeitgeber und/oder Anwender muss sicherstellen, dass richtiger Augenschutz getragen wird. Der Augenschutz muss den Anforderungen der Ratschrichtlinie 89/686/EWG vom 21. Dez. 1989 (des American National Standards Institute, ANSI Z87.1) entsprechen und sowohl vorderen als auch seitlichen Schutz bieten.

Der Arbeitgeber ist dafür verantwortlich, dass die Vorschriften zum Augenschutz von allen Benutzern des Werkzeugs sowie allen im Arbeitsbereich befindlichen Personen befolgt werden.

HINWEIS: Brillen und Gesichtsschirme ohne Seitenschutz bieten keinen ausreichenden Schutz.

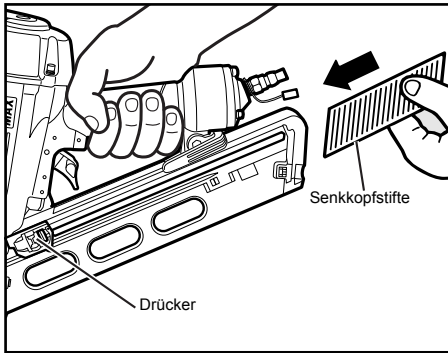


WARNUNG

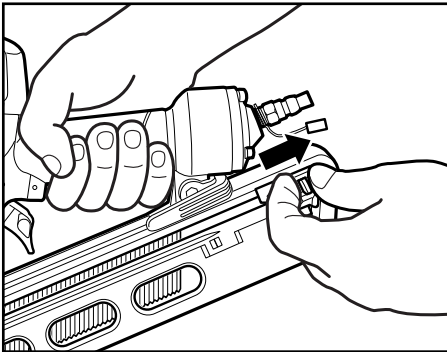


Beim Eintreiben der Befestiger sind die Hände und der Körper von der Entladeöffnung fernzuhalten, da die Gefahr besteht, dabei versehentlich die Hände oder den Körper zu treffen.

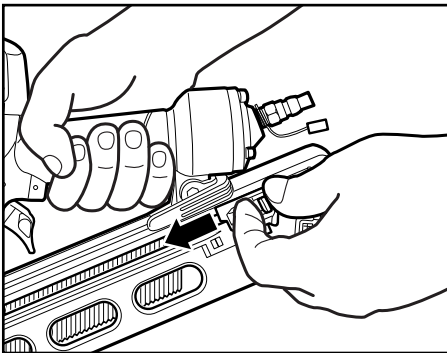
LADEN DES MAGAZINS



- ① Die Senkkopfstifte de finition in das Magazin einschieben.



- ② Den Drücker zurückziehen.



- ③ Den Drücker loslassen und zurückkehren lassen.

TESTBETRIEB

- ① Den Luftdruck auf 5 bar (70 p.s.i.) einstellen und die Druckluftzufuhr einschalten.
- ② Ohne den Betätigungshebel zu berühren, den Kontaktarm gegen das Werkstück drücken. Den Betätigungshebel ziehen. (Das Werkzeug muss den Befestiger ausstoßen.)
- ③ Bei dem nicht am Werkstück anliegenden Werkzeug den Betätigungshebel drücken. Anschließend den Verbindungsarm gegen das Werkstück drücken. (Das Werkzeug muss den Befestiger ausstoßen, wenn Sie Kontaktauslösung wählen.)
- ④ Den Luftdruck auf ein möglichst niedriges Niveau gemäß der Länge des Befestigers und der Härte des Werkstückes einstellen.

ANSCHLUSS DES DRUCKLUFTSCHLAUCHS

Den Schnellverschluss mit dem Druckluftanschluss verbinden.



WARNUNG

Beim Anschließen des Druckluftanschlusses die Nagel-Entladeöffnung nicht auf ein Körperteil oder auf eine andere Person richten und den Betätigungshebel nicht berühren.

EINTREIBEN VON BEFESTIGERN

HINWEIS:

Im Auslieferungszustand des Werkzeugs ist SEQUENTIELLE SCHUSSAUSLÖSUNG ausgewählt.

SEQUENTIELLE SCHUSSAUSLÖSUNG

Bei der sequentiellen Schussauslösung muss vor dem Drücken des Betätigungshebels das Werkstück mit dem Gerät berührt werden. Diese Schußtechnik ermöglicht ein genaues Platzieren des Nagels/der Klammer, ohne daß die Möglichkeit besteht, beim Rückstoß einen zweiten Nagel/eine zweite Klammer einzutreiben.

Die sequentielle Schussauslösung ermöglicht genaue Platzierung der Befestiger ohne dass die Möglichkeit besteht, dass beim Rückstoß ein zweiter Befestiger eingetrieben wird, wie unter "Kontaktauslösung" beschrieben.

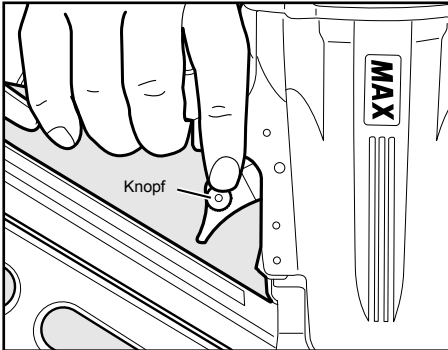
Es wird kein Schuss versehentlich ausgelöst, wenn man mit dem Gerät das Werkstück oder irgendetwas anderes bei gedrücktem Betätigungshebel berührt.

Umschalten von SEQUENTIELLER SCHUSSAUSLÖSUNG ZU KONTAKTAUSLÖSUNG

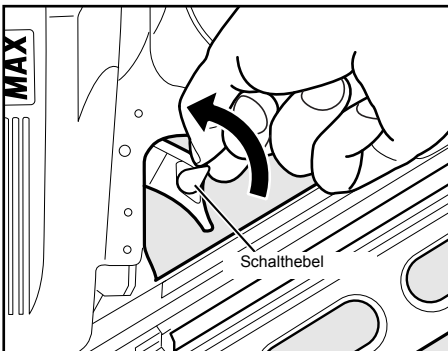


WARNUNG

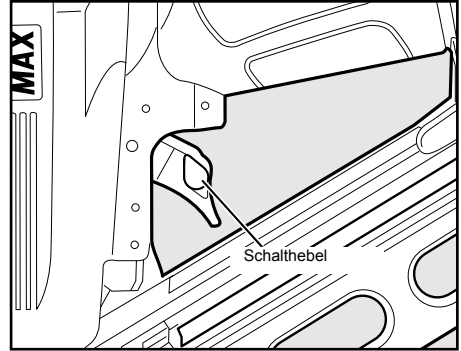
Vor dem Umschalten der Auslösemethode grundsätzlich die Druckluftzufuhr abschalten.



- ① Den Knopf auf dem Betätigungshebel drücken.



- ② Den Schalthebel in Pfeilrichtung drehen.

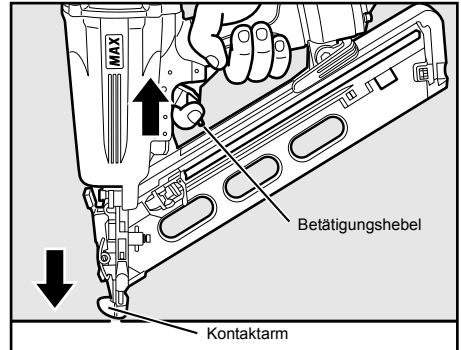


- ③ Den Schalthebel wie in der obigen Abbildung einstellen.

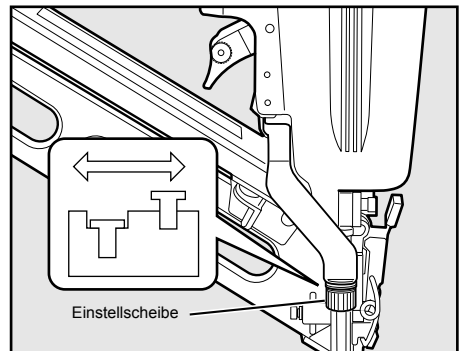
KONTAKTAUSLÖSUNG

Die normale Betriebsweise der Geräte mit Kontaktauslösung sieht vor, daß der Benutzer zur Auslösung eines Schusses das Werkstück mit dem Gerät berührt, während er den Betätigungshebel gedrückt hält.

Alle Druckluftwerkzeuge zum Eintreiben von Heftmaterial sind rückstoßanfällig. Es besteht die Gefahr, daß das Gerät bei einem eventuellen Aufprall die Kontaktauslösung betätigt, wenn dabei unbeabsichtigterweise die Werkstückoberfläche bei noch gedrücktem Betätigungshebel erneut berührt wird, wird ungewollt ein zweiter Schuß ausgelöst.



EINSTELLVORWAHLKNOPF FÜR EINTREIBTIEFE



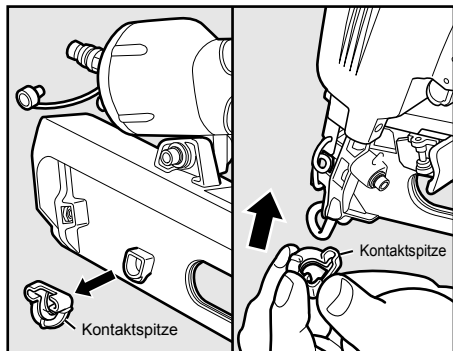


WARNUNG

Vor dem Drehen der Einstellscheibe grundsätzlich die Druckluftzufuhr abschalten.

- ① Wenn eine Einstellung erforderlich ist, die Druckluftzufuhr abschalten.
- ② Die Markierung auf dem Kontaktarm zeigt die Richtung an, in der die Einstellscheibe gedreht werden muß.
- ③ Druckluftzufuhr wieder einschalten.

KONTAKTKAPPE

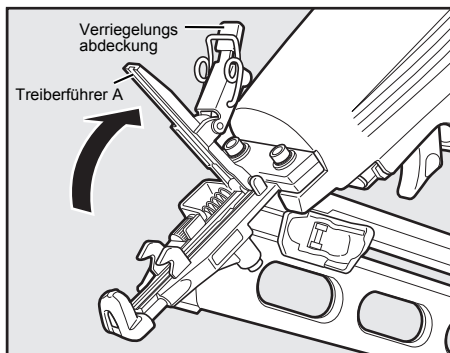


WARNUNG

Vor dem Aufsetzen der Kontaktkappe grundsätzlich die Druckluftzufuhr abschalten. Die Kontaktkappe wird auf die Spitze des Kontaktarms aufgesetzt, wenn weiches Material genagelt werden soll.

Die Kontaktspitze hinten an der Rückseite des Magazins nach Erfordernis verwenden.

ENTFERNEN VON EINGEKLEMMTEN NÄGELN (NF655/15)

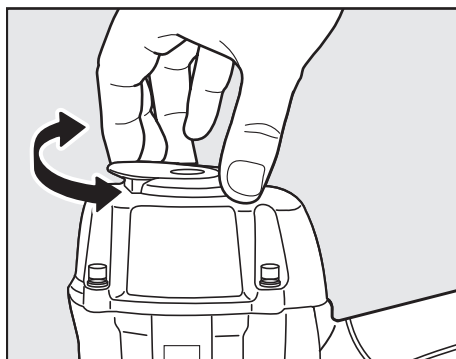


WARNUNG

Vor dem Entfernen von eingeklemmten Nägeln IMMER die Druckluftzufuhr abtrennen.

- ① Den Druckluftschlauch abziehen.
- ② Die Nägel aus dem Magazin entnehmen.
- ③ Die Verriegelungsabdeckung öffnen und dann ziehen, um den Treiberführer A zu öffnen.
- ④ Die in der Treiberführung verklebten Nägel mit einem Flacheisen oder einem Schlitzschraubendreher entfernen.
- ⑤ Den Treiberführer A und die Verriegelungsabdeckung schließen.

GERICHTETE AUSTRITTSABDECKUNG



WARNUNG

Vor dem Drehen der Austrittsabdeckung IMMER die Druckluftzufuhr abschalten.

Die Richtung der Abluft kann durch Drehen der Austrittsabdeckung mit der Hand geändert werden.

6. WARTUNG

1 PRODUKTIONSAJAHR

Dieses Produkt trägt die Produktionszahl am unteren Teil des Griffs des Hauptgerätes. Die ersten beiden Ziffern der Zahl von links zeigen das Produktionsjahr an.

(Beispiel)

1 6 8 2 6 0 3 5 D

T

Jahr 2016

2 NICHT DEN NAGLER BETÄTIGEN, WENN ER LEER IST.

3 BENUTZEN SIE EIN 3-TEILIGES DRUCKLUFTSET.

Falls Sie kein 3-teiliges Druckluftset verwenden, können Staub und Feuchtigkeit vom Kompressor direkt in das Gerät gelangen. Dies würde Rost, Verschleiß und eine geringe Funktion des Gerätes verursachen. Die Schlauchlänge zwischen dem Druckluftset und dem Gerät sollte nicht länger als 5 m sein, um einen Druckabfall zu vermeiden.

4 VERWENDEN SIE NUR EMPFOHLENES ÖL.

Spindel- oder Turbinenöl sollte für die Schmierung des Gerätes verwendet werden. Bei Beendigung des Betriebs sollten 2 bis 3 Tropfen Öl mit einem Öler in den Druckluftanschluss gegeben werden. (Empfohlenes Öl: ISO VG32)

5 TÄGLICH ODER JEWEILS VOR DER INBETRIEBSETZUNG ÜBERPRÜFEN UND WARTEN



WARNUNG

Vor der Überprüfung oder Wartung des Werkzeugs die Druckluftzufuhr abschalten und das Magazin leeren.

- (1) Den Luftleitungsfilter und den Kompressor entleeren.
- (2) Die Schmiervorrichtung in dem 3-teiligen Druckluftset gefüllt halten.
- (3) Das Filterelement des 3-teiligen Druckluftsets reinigen.
- (4) Alle Schrauben fest anziehen.

7. LAGERUNG

- 1 Wenn das Werkzeug für längere Zeit nicht verwendet wird, eine dünne Schicht Schmiermittel auf die Stahlteile auftragen, um Rostbildung zu verhindern.
- 2 Das Werkzeug nicht im Kalten lagern. Das Werkzeug in einem warmen Bereich aufbewahren
- 3 Wenn das Werkzeug nicht verwendet wird, muss es an einem warmen und trockenen Ort aufbewahrt werden. Von Kindern fernhalten.
- 4 Bei allen Qualitätswerkzeugen ist aufgrund des normalen Verschleißes schließlich eine Wartung oder die Ersetzung von Teilen erforderlich.

8. STÖRUNGSBESEITIGUNG/ REPARATUREN

Störungsbeseitigung und/oder Reparaturen dürfen nur von den Vertragshändlern der MAX CO., LTD. oder anderen Fachleuten mit spezifizierten Ersatzteilen unter ordnungsgemäßer Berücksichtigung der hierin enthaltenen Informationen durchgeführt werden.

MANUEL D'UTILISATION ET D'ENTRETIEN

INDEX

1. AVERTISSEMENTS DE SÉCURITÉ GÉNÉRAUX	23
2. CONSIGNES DE SÉCURITÉ	24
3. CARACTÉRISTIQUES TECHNIQUES ET ACCESSOIRES	27
4. ALIMENTATION EN AIR COMPRIMÉ ET CONNEXIONS	28
5. INSTRUCTIONS D'EMPLOI	28
6. ENTRETIEN	32
7. STOCKAGE	32
8. DÉPISTAGE DES PANNES/RÉPARATIONS	32



AVERTISSEMENT

AVANT D'UTILISER CET OUTIL, LIRE CE MANUEL ET LES CONSIGNES DE SÉCURITÉ AFIN DE GARANTIR UN FONCTIONNEMENT SÛR. CONSERVER CE MANUEL EN LIEU SÛR AVEC L'OUTIL AFIN DE POUVOIR LE CONSULTER ULTÉRIEUREMENT.

1. AVERTISSEMENTS DE SÉCURITÉ GÉNÉRAUX



AVERTISSEMENT

LIRE LE MODE D'EMPLOI

Avant d'installer, d'utiliser ou de régler le compresseur, lire attentivement le mode d'emploi.



1. PORTEZ DES LUNETTES DE PROTECTION OU DE SÉCURITÉ

Un danger aux yeux est toujours présent en raison de la poussière rejetée par l'air s'échappant ou de l'éjection de clous à cause d'une manipulation incorrecte de l'outil. Pour cette raison il est nécessaire de toujours porter des lunettes de protection ou de sécurité pendant l'utilisation de l'outil. L'employeur et/ou l'utilisateur doivent assurer une protection appropriée des yeux de l'opérateur de l'outil. L'équipement de protection des yeux doit répondre aux exigences de la Directive du Conseil 89/686/CEE du 21 décembre 1989 (American National Standards Institute, Norme ANSI Z87.1) et assurer une protection frontale et latérale de la tête. L'employeur est responsable pour appliquer le port d'équipement de protection pour les yeux par l'opérateur de l'outil et par tous les autres membres du personnel sur le lieu de travail.

REMARQUE : Les lunettes sans protection latérale ou frontale n'assurent pas une protection suffisante.



2. DANS CERTAINS ENVIRONNEMENTS UNE PROTECTION AUDITIVE PEUT ÊTRE EXIGÉE

Étant donné que les conditions de travail peuvent entraîner une exposition à des niveaux de bruit élevés qui peuvent provoquer des dommages d'audition, l'employeur et l'utilisateur doivent s'assurer qu'un équipement de protection auditive est mis à disposition et utilisé par l'opérateur et les autres personnes se trouvant sur le lieu de travail.



3. ÉLOIGNER VOTRE CORPS ET VOS MAINS DE L'ORIFICE DE SORTIE DE L'APPAREIL.

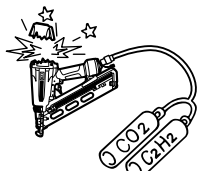
Lors du chargement et de l'utilisation de l'outil, ne jamais placer votre main ou une partie de votre corps dans la zone de décharge de l'élément de fixation de l'outil. Un contact accidentel avec les mains ou le corps est très dangereux.



4. NE PAS UTILISER SUR DES ÉCHAUFFAUGES ET SUR DES ÉCHELLES

Ne pas utiliser sur des échafaudages et sur des échelles avec des outils agrafeurs automatiques équipés d'un déclencheur à contact ou d'un déclencheur à contact continu.

2. CONSIGNES DE SÉCURITÉ



1. NE PAS UTILISER D'AUTRE SOURCE D'ALIMENTATION QU'UN COMPRESSEUR D'AIR

L'outil est conçu pour fonctionner avec de l'air comprimé. Ne pas utiliser l'outil avec d'autres gaz sous haute pression, des gaz combustibles (ex. l'oxygène, l'acétylène, etc.), car il y a risque d'explosion. Par conséquent, ne rien utiliser d'autre qu'un compresseur d'air pour faire fonctionner cet outil.

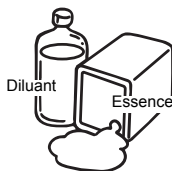


2. RESPECTER LA PLAGE DE PRESSION D'AIR APPROPRIÉE POUR L'UTILISATION

L'outil est conçu pour fonctionner dans une plage de pression d'air de 5 à 7 bar (70 à 100 psi).

La pression doit être ajustée au type de pièce à clouer. L'outil ne doit jamais être utilisé lorsque la pression de service dépasse 8,3 bar (120 psi).

Ne jamais brancher d'outil sur une alimentation en air comprimé dont la pression peut éventuellement dépasser 13,8 bars (200 psi), ce qui peut entraîner l'explosion de l'outil.



3. NE PAS UTILISER L'OUTIL PRÈS D'UNE SUBSTANCE INFLAMMABLE

Ne jamais utiliser l'outil près d'une substance inflammable (ex. diluant, de l'essence, etc.). Les fumées volatiles de ces substances peuvent être attirées dans le compresseur, comprimées en même temps avec l'air, cela risquant de produire une explosion.

4. N'UTILISEZ JAMAIS L'OUTIL EN PRÉSENCE DE GAZ EXPLOSIFS

Les étincelles de l'outil peuvent enflammer les gaz atmosphériques, la poussière ou d'autres matériaux combustibles.

5. NE PAS UTILISER DES PIÈCES DE RACCORDEMENT INADÉQUATES

Le connecteur sur l'outil ne doit pas retenir la pression lorsque l'alimentation en air comprimé est débranchée. Si une fixation non appropriée est utilisée, l'outil peut rester chargé d'air après le débranchement et sera ainsi capable d'enfoncer un élément de fixation même après le débranchement de l'arrivée d'air, provoquant ainsi des dommages éventuels.



6. COUPER L'ALIMENTATION EN AIR COMPRIMÉ ET VIDER LE MAGASIN LORSQUE L'OUTIL N'EST PAS UTILISÉ

Veillez à toujours débrancher l'alimentation en air comprimé de l'outil et à vider le magasin en fin de travail ou lorsque le travail est suspendu, lorsque l'outil est laissé sans surveillance, est déplacé vers un autre lieu de travail, réglé, démonté ou réparé, ou encore lorsque vous dégagez un fermail.



7. CONTRÔLER LE SERRAGE DES VIS

Des vis ou des boulons desserrés ou incorrectement installés peuvent provoquer des accidents et endommager l'outil lorsqu'il est mis en service. Contrôler et vérifier que tous les vis et boulons sont bien serrés et correctement installés avant d'utiliser l'outil.



8. NE PAS TOUCHER LE DECLENCHEUR SAUF POUR ENFONCER UN ÉLÉMENT DE FIXATION

Lorsque l'alimentation en air comprimé est connectée à l'outil, ne jamais toucher le déclencheur sauf si dans l'intention d'enfoncer un élément de fixation dans la pièce de travail. Il est dangereux de porter l'outil tout en marchant avec le déclencheur enclenché. Ceci, ainsi que des actions similaires doit être évité.

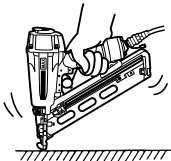


9. NE JAMAIS DIRIGER L'ORIFICE DE SORTIE VERS VOUS OU VERS UNE AUTRE PERSONNE

En cas de raté, les personnes qui se trouveraient dans la trajectoire de l'orifice de sortie risquent d'être grièvement blessées. Lorsque vous branchez ou débranchez le tuyau, chargez ou déchargez les éléments de fixation ou effectuez une intervention quelconque, vérifiez toujours que l'orifice de sortie n'est orienté vers personne.

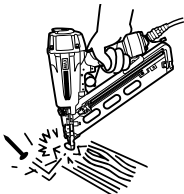
10. UTILISER LES ÉLÉMENTS DE FIXATION APPROPRIÉS (VOIR PAGE 27)

L'utilisation d'éléments de fixation autres que ceux spécifiés provoque le mauvais fonctionnement de l'outil. S'assurer d'utiliser uniquement les éléments de fixation appropriés avec l'outil.



11. PLACER CORRECTEMENT L'ORIFICE DE SORTIE SUR LA SURFACE DE TRAVAIL

Si l'on oublie de placer l'orifice de sortie de façon appropriée, on risque un détachement violent de l'attache vers le haut, ce qui est extrêmement dangereux.



12. NE PAS APPLIQUER LES ÉLÉMENTS DE FIXATION PRÈS DU BORD DE LA PIÈCE ET SUR UN MATÉRIAU MINCE

La pièce de travail peut éclater et l'élément de fixation risque de sauter et de heurter quelqu'un.



13. NE PAS ENFONCER DES POINTES OU AGRAFES SUR D'AUTRES ÉLÉMENTS DE FIXATION

Le fait d'enfoncer des éléments de fixation par dessus d'autres éléments de fixation risque de provoquer un éclatement de ces éléments qui pourrait provoquer des blessures.

14. RETRAIT DES ÉLÉMENTS DE FIXATION APRÈS LA FIN DE L'OPÉRATION

Si les éléments de fixation sont laissés dans le magasin après la fin de l'opération, il y a danger d'accident grave qui risque de se produire avant la reprise de l'opération, au cas où l'outil est manipulé négligemment ou lors du branchement de la fixation d'air. Par conséquent, toujours enlever tous les éléments de fixation restant dans le magasin après la fin de l'opération.

15. VÉRIFIER FRÉQUEMMENT LE FONCTIONNEMENT DU MÉCANISME DE DECLENCHEMENT AU COUP À COUP EN CAS D'UTILISATION D'UN OUTIL DE TYPE À DECLENCHEMENT AU COUP À COUP

Ne pas utiliser l'outil si le déclencheur ne fonctionne pas correctement, car un enfoncement accidentel d'un projectile de fixation risque de se produire. Ne pas gêner le fonctionnement correct du mécanisme de déclenchement au coup à coup.



16. UTILISATION DE L'OUTIL À L'EXTÉRIEUR OU SUR UN ENDROIT SURÉLEVÉ

Pour fixer un toit, ou une surface inclinée similaire, commencer la fixation sur la partie inférieure et exécuter le travail en montant progressivement. Il est dangereux de faire des fixations en reculant, car on risque de perdre pied en glissant. Fixer le tuyau à un point près de la zone où les éléments de fixation doivent être enfoncés. Des accidents risquent de se produire à cause d'un tuyau coincé ou tiré par inadvertance.

17. NE JAMAIS UTILISER L'OUTIL SI N'IMPORTE QUELLE PARTIE DES COMMANDES D'OUTIL (PAR EXEMPLE, DÉCLENCHEUR, BRAS DE CONTACT) EST INOPÉRABLE, DÉBRANCHÉE, CHANGÉE OU NE FONCTIONNANT PAS CORRECTEMENT

18. NE JAMAIS ORIENTER L'OUTIL VERS UN ESPACE LIBRE

Les éléments de fixation voltigeant dans l'air présentent un certain danger, et ceci est néfaste à la durabilité de l'outil.

19. TOUJOURS PRÉSUMER QUE L'OUTIL EST MUNI D'ÉLÉMENTS DE FIXATION

20. CONSIDÉREZ L'OUTIL COMME UN INSTRUMENT DE TRAVAIL

21. NE FAITES PAS DE GESTES BRUSQUES

22. NE JAMAIS MONTER LES FERMOIRS SUR L'OUTIL LORSQU'UNE COMMANDE (DÉTENTE OU BRAS DE CONTACT par exemple) EST ACTIVÉE

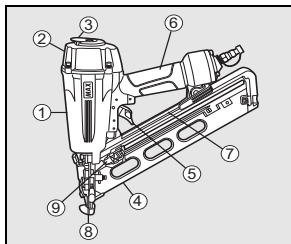
23. LORSQUE LA MACHINE OU SES PIÈCES SONT MISES AU REBUT, SUIVEZ LES RÉGLEMENTS NATIONAUX EN VIGUEUR
24. TOUJOURS PORTER UNE PROTECTION DE TÊTE, DES CHAUSSURES DE SÉCURITÉ ET UN MASQUE DANS LES CONDITIONS APPROPRIÉES

RESPECTER LES PRÉCAUTIONS GÉNÉRALES SUIVANTES EN PLUS DES AUTRES AVERTISSEMENTS DÉCRITS DANS CE MANUEL

- Ne pas utiliser l'outil comme un marteau.
- Saisissez toujours l'outil par la poignée, et ne le transportez jamais en le tenant par le tuyau d'air.
- L'outil doit être utilisé uniquement pour l'usage préconisé.
- Ne jamais retirer ou altérer les commandes (DÉTENTE OU BRAS DE CONTACT par exemple).
- Conserver l'outil dans un endroit sec, hors de portée des enfants, lorsqu'il n'est pas utilisé.
- Ne pas utiliser l'outil sans l'étiquette de sécurité.
- Ne pas modifier la conception originale ou les caractéristiques de l'outil sans le consentement de MAX CO. LTD.
- N'utilisez pas l'outil si vous sentez quelque chose d'inhabituel (fuite d'air, bruit étrange, fonctionnement inhabituel).

3. CARACTÉRISTIQUES TECHNIQUES ET ACCESSOIRES

1. NOM DES PIÈCES



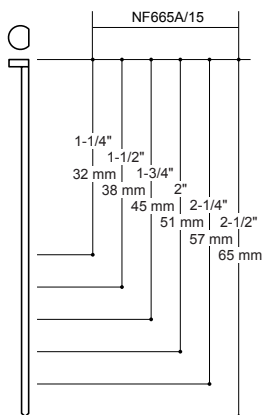
- 1 Boîtier
- 2 Couvercle de cylindre
- 3 Capot d'évacuation
- 4 Magasin
- 5 Déclencheur
- 6 Poignée
- 7 Étiquette d'avertissement
- 8 Orifice de sortie
- 9 Poussoir

2. CARACTÉRISTIQUES DE L'OUTIL

N° DE PRODUIT	NF665A/15
HAUTEUR	322 mm (12-5/8")
LARGEUR	94 mm (3-11/16")
LONGUEUR	322 mm (12-5/8")
POIDS	1.8 kg (3.97 lbs)
PRESSIION DE SERVICE RECOMMANDÉE	5 à 7 bar (70 à 100 psi)
CAPACITÉ DE CHARGE	106 Clous
CONSOMMATION EN AIR COMPRIMÉ	1,44 l (0,051 pi ³) à 7 bar pression de service

* La machine a été conçue pour être compacte afin d'améliorer la répartition du poids en charge.

3. SPECIFICATION DES CLOUS-ÉPINGLES



Wire gauge: 15

PIÈCES DE RACCORDEMENT D'AIR COMPRIMÉ DE L'OUTIL :

Cet outil est équipé d'une prise mâle avec filet extérieur de 6 mm (1/4")s. Le diamètre intérieur devrait être de 7 mm (0,28") N.P.T. minimum. Le raccord doit permettre de décharger l'air comprimé de l'outil lorsque l'alimentation en air comprimé est interrompue.

PRESSIION DE SERVICE RECOMMANDÉE :

5 à 7 bar (70 à 100 psi). Régler l'air comprimé à l'intérieur de cette plage pour garantir la meilleure performance possible de fixation.

NE PAS DÉPASSER 8,3 bar (120 psi).

4. CARACTÉRISTIQUES TECHNIQUES

1 BRUIT

Niveau de puissance sonore pulsée par rapport à la courbe A
 ----- LWA, 88,8 dB
 Incertitude (KWZ) : 3 dB
 Niveau de pression acoustique pulsée par rapport à la courbe A
 ----- LpA, 87,2 dB
 Incertitude (KpA) : 3 dB
 Ces valeurs ont été calculées et documentées, conformément à la norme EN12549 :1999.



2 VIBRATIONS

Valeur caractéristique de vibration
 = 3,04 m/s²
 Incertitude (K) : 1,5 m/s²

Ces valeurs sont déterminées et documentées conformément à la norme ISO 8662-11. Cette valeur représente une valeur caractéristique connexe à l'outil et non l'influence au système main-bras lorsque l'on utilise l'outil. Une influence au système main-bras lorsque l'on utilise l'outil dépendra, par exemple, de la force de saisie, la force de pression de contact, la direction de fonctionnement, le réglage de l'air principale, le lieu de travail, le support d'objets de travail.

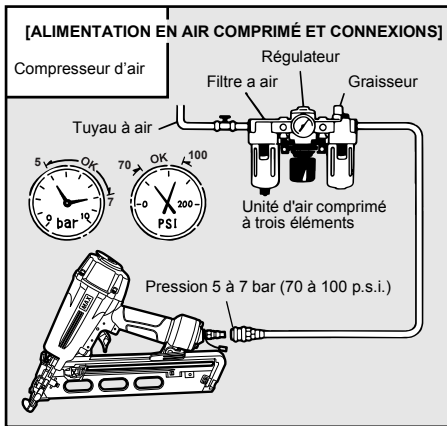
5. APPLICATIONS

- * Montage de châssis de portes et de fenêtres
- * Fixation de panneaux décoratifs en contreplaqué ou autres travaux d'aménagement intérieur
- * Montage de panneaux et de pièces moulées
- * Faux plancher
- * Assemblage de meubles et de tiroirs y compris de tiroirs, fixation de parois arrière de placards, fixation cachée et autres travaux de finition
- * Assemblage de placards et armoires

4. ALIMENTATION EN AIR COMPRIMÉ ET CONNEXIONS



AVERTISSEMENT



PIÈCES DE RACCORDEMENT : Installer un raccord mâle à flux libre sur l'outil qui relâche la pression d'air de l'outil lorsqu'il est débranché de la source d'alimentation.

TUYAUX : Le diamètre intérieur du tuyau doit être de 6 mm (1/4") minimum et d'une longueur maximale de 5 mètres (17'). Le tuyau d'alimentation doit avoir une fixation qui assure un "débranchement rapide" de la fiche mâle sur l'outil.

SOURCE D'ALIMENTATION : Utiliser uniquement l'air comprimé régulé comme source d'alimentation pour l'outil.

UNITÉ D'AIR COMPRIMÉ À TROIS ÉLÉMENTS (Filtre à air, régulateur, graisseur) : Se référer aux SPECIFICATIONS DE L'OUTIL pour le réglage de la pression de fonctionnement appropriée pour l'outil.

REMARQUE :

Un filtre assure une meilleure performance et un minimum d'usure de l'outil, parce que l'encrassement et l'eau dans l'alimentation en air comprimé sont les sources principales d'usure de l'outil.

Des graissages fréquents, mais non excessifs sont nécessaires pour conserver la meilleure performance. L'huile ajoutée à travers le raccord de ligne d'air lubrifie les pièces internes.

5. INSTRUCTIONS D'EMPLOI

Lire la section intitulée "AVERTISSEMENTS DE SÉCURITÉ GÉNÉRAUX", "CONSIGNES DE SÉCURITÉ".

1. AVANT CHAQUE UTILISATION

Vérifier les points suivants avant d'utiliser l'outil.

- 1 Porter des lunettes de protection ou de sécurité.
- 2 Ne pas encore brancher l'alimentation en air comprimé.
- 3 Vérifier le serrage des vis.
- 4 Vérifier le fonctionnement de la barre de contact et s'assurer que le levier de commande se déplace librement.
- 5 Brancher l'alimentation en air comprimé.
- 6 Rechercher une éventuelle présence d'une fuite d'air. (L'outil ne doit pas présenter de fuite d'air.)
- 7 Tenir l'outil (ne pas mettre de doigt sur le levier de commande) et appuyer la barre de contact contre la pièce à fixer. (L'outil ne doit pas fonctionner.)
- 8 Tenir l'outil en sorte que la barre de contact ne repose pas sur la pièce à fixer et appuyer sur le levier de commande. (L'outil ne doit pas fonctionner.)
- 9 Débrancher l'alimentation en air comprimé.



AVERTISSEMENT



2. PENDANT L'UTILISATION

Porter des lunettes de protection ou de sécurité. Un danger aux yeux est toujours présent en raison de la poussière rejetée par l'air s'échappant ou de l'éjection de clous à cause d'une manipulation incorrecte de l'outil. Pour cette raison il est nécessaire de toujours porter des lunettes de protection ou de sécurité pendant l'utilisation de l'outil.

L'employeur et/ou l'utilisateur doivent assurer une protection appropriée des yeux de l'opérateur de l'outil. L'équipement de protection des yeux doit répondre aux exigences de la Directive du Conseil 89/686/CEE du 21 décembre 1989 (American National Standards Institute, Norme ANSI Z87.1) et assurer une protection frontale et latérale de la tête.

L'employeur est responsable pour appliquer le port d'équipement de protection pour les yeux par l'opérateur de l'outil et par tous les autres membres du personnel sur le lieu de travail.

REMARQUE : Les lunettes sans protection latérale ou frontale n'assurent pas une protection suffisante.

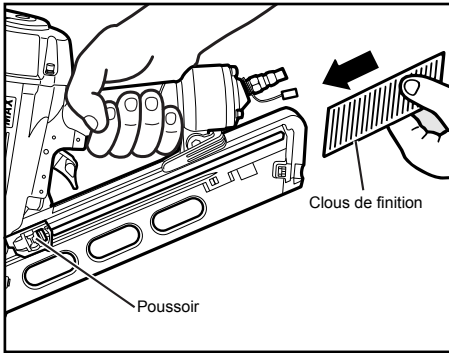


AVERTISSEMENT

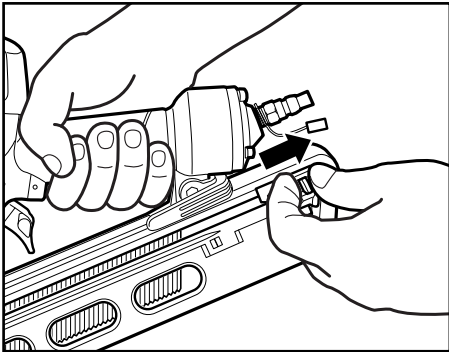


Veiller à tenir les mains et le reste du corps hors de portée de l'orifice de sortie pendant l'enfoncement des éléments de fixation pour éviter de toucher accidentellement les mains ou le corps.

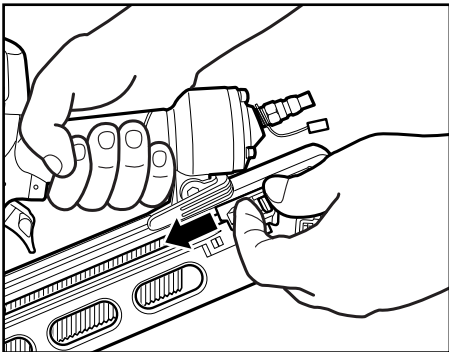
CHARGEMENT DU MAGASIN



- ① Insérer les clous de finition dans le magasin.



- ② Tirez le poussoir vers l'arrière



- ③ Relâchez et retournez le poussoir.

TEST

- ① Régler l'air comprimé sur 5 bars (70 psi) et brancher l'alimentation en air comprimé.
- ② Appuyer la barre de contact contre la pièce à fixer sans cependant toucher au levier de commande. Tirer le déclencheur (L'outil doit tirer la pointe.)
- ③ Appuyer sur le levier de commande, l'outil ne devant pas toucher la pièce à fixer. Appuyer ensuite la barre de contact contre la pièce à fixer. (L'outil doit tirer la pointe si vous sélectionnez le déclencheur à contact.)
- ④ Régler la pression de l'air comprimé à un niveau aussi bas que possible, selon la longueur de l'attache et la dureté de la pièce de travail.

RACCORDEMENT DU TUYAU D'AIR

Raccorder le mandrin à air au raccord pneumatique.



AVERTISSEMENT

Ne diriger l'ouverture de sortie des clous ni vers soi ni vers toute autre personne, et ne pas toucher au levier de commande pendant que l'on branche le tuyau d'arrivée d'air comprimé.

ENFONCEMENT D'ÉLÉMENTS DE FIXATION

REMARQUE :

Cet outil est livré avec le DÉCLENCHEMENT SÉQUENTIEL sélectionné.

DECLENCHEMENT DE TIR SEQUENTIEL

Il faut, pour le déclenchement séquentiel, que l'appareil touche l'ouvrage avant que l'on ne déclenche le levier de commande. Cette technique facilite le placement précis de la pointe/l'agrafe, par exemple dans les applications d'encadrement, de clouage en biais et de mise en caisse.

Le déclenchement séquentiel permet le positionnement exact de l'agrafe sans la possibilité d'enfoncer une seconde agrafe avec le recul, comme décrit dans "Déclenchement par contact".

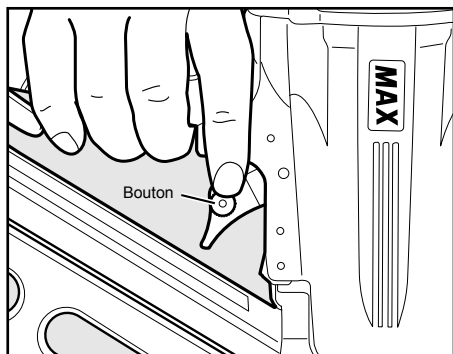
Les appareils à déclenchement séquentiel présentent les avantages suivants en matière de sécurité: il n'y a aucun déclenchement accidentel si l'appareil entre en contact avec l'ouvrage ou autre objet lorsque l'on appuie sur le levier de commande.

Commutation du DÉCLENCHEMENT SÉQUENTIEL en DÉCLENCHEMENT PAR CONTACT

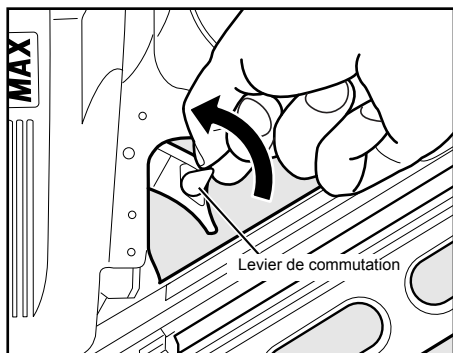


AVERTISSEMENT

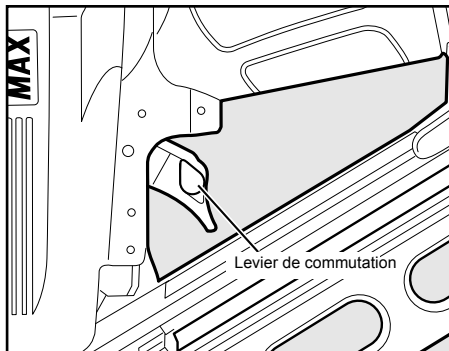
TOUJOURS couper l'alimentation en air avant de commuter la méthode de déclenchement.



① Appuyer sur le bouton du déclencheur.



② Tourner le levier de commutation dans le sens de la flèche.

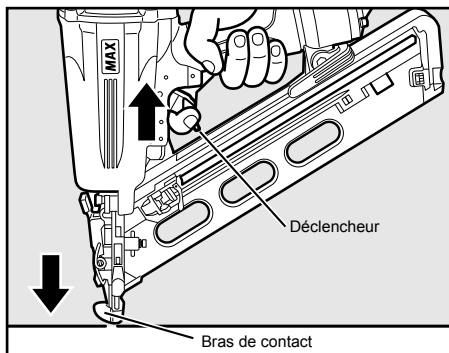


③ Régler le levier de commutation tel que sur l'image ci-dessus.

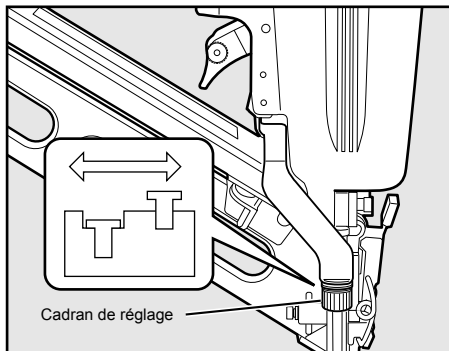
DECLENCHEMENT PAR CONTACT

Le fonctionnement normal des appareils avec déclenchement par contact prévoit que l'opérateur touche l'ouvrage avec l'appareil pour déclencher un tir tout en maintenant le levier de commande appuyé.

Tous les outils pneumatiques de tir d'attaches sont sujets à un recul. L'appareil peut, éventuellement, actionner le déclenchement par contact lors d'un éventuel impact; si cela entraîne un nouveau contact accidentel de l'appareil avec la surface à fixer alors que le levier de commande est encore appuyé, un deuxième tir sera déclenché involontairement.



CADRAN DE RÉGLAGE DE LA PROFONDEUR D'ENFONCEMENT



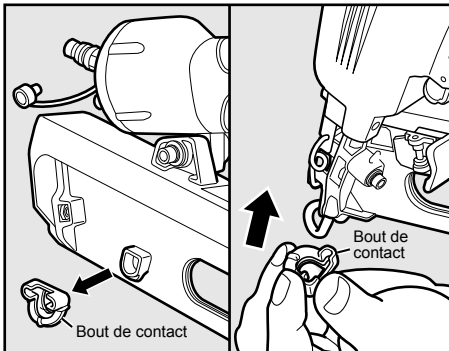


AVERTISSEMENT

TOUJOURS couper l'alimentation en air comprimé avant de tourner le disque de réglage.

- ① Si oui, couper l'alimentation en air comprimé.
- ② Le repère placé sur la barre de contact indique le sens dans lequel il faut tourner le disque de réglage.
- ③ Rebrancher l'alimentation en air comprimé.

CAPUCHON DE CONTACT

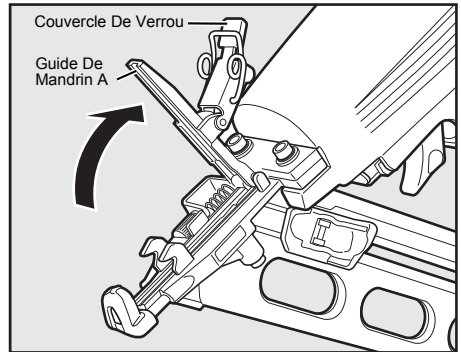


AVERTISSEMENT

TOUJOURS couper l'alimentation en air comprimé avant de mettre le capuchon de contact. Ce dernier se place sur la pointe de la barre de contact si le matériel à fixer est souple.

Utiliser si nécessaire le capuchon de contact situé à l'arrière du magasin.

EXTRACTION DE CLOUS BLOQUÉS (NF655/15)

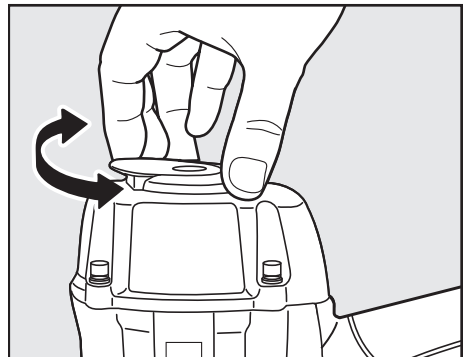


AVERTISSEMENT

TOUJOURS débrancher l'alimentation en air comprimé avant de retirer les clous coincés.

- ① Débrancher le tuyau d'air.
- ② Retirer le jeu de clous du magasin.
- ③ Ouvrez le couvercle de verrou, puis tirez pour ouvrir le guide d'entraînement A.
- ④ Extraire les 4 vis à six pans creux du magasin.
- ⑤ Réfermez le guide d'entraînement A et le couvercle de verrou.

CAPOT D'ÉVACUATION DIRECTIONNEL



AVERTISSEMENT

TOUJOURS débrancher l'alimentation en air comprimé avant de faire pivoter le capot d'évacuation.

La direction de l'air d'évacuation est modifiable en faisant pivoter manuellement le capot d'évacuation.

6. ENTRETIEN

① À PROPOS DE L'ANNÉE DE PRODUCTION

Ce produit porte le numéro de production à la partie inférieure de la poignée du corps principal. Les deux chiffres du numéro de la gauche indiquent l'année de production.

(Exemple)

1 6 8 2 6 0 3 5 D



Année 2016

② NE PAS DÉCLENCHER LA CLOUEUSE QUAND ELLE EST VIDE

③ UTILISER UNE UNITÉ D'AIR COMPRIMÉ À TROIS ÉLÉMENTS

Le fait de ne pas utiliser une unité d'air comprimé à trois éléments permet l'entrée de l'humidité et de saletés à l'intérieur du compresseur qui passe directement dans l'outil. Cela crée une formation de rouille et provoque l'usure conduisant à une mauvaise performance pendant l'utilisation. La longueur du tuyau entre le régulateur et l'outil ne doit pas dépasser 5 m, étant donné qu'une longueur supérieure réduit la pression d'air.

④ UTILISER UNE HUILE RECOMMANDÉE

De l'huile à broche ou de turbine doit être utilisée pour lubrifier l'outil. Après la fin des opérations, placer 2 ou 3 gouttes d'huile dans l'entrée d'air avec le graisseur. (Huile recommandée : ISO VG32)

⑤ VÉRIFIER ET ENTRETENIR L'OUTIL TOUS LES JOURS OU AVANT CHAQUE UTILISATION



AVERTISSEMENT

Couper l'alimentation en air comprimé et vider le magasin avant toute vérification ou mesure d'entretien de l'outil.

- (1) Vider le filtre de la conduite d'air et le compresseur
- (2) Veiller à ce que le graisseur soit toujours plein dans l'unité d'air comprimé à trois éléments
- (3) Nettoyer l'élément filtrant de l'unité d'air comprimé à trois éléments
- (4) Bien serrer toutes les vis

7. STOCKAGE

- ① Si l'outil doit rester inutilisé pendant un certain temps, appliquer une mince couche de lubrifiant sur les pièces en acier pour éviter l'apparition de rouille.
- ② Ne pas entreposer l'outil dans un endroit exposé au froid. Le conserver dans un endroit chaud.
- ③ Si l'outil reste inutilisé, il faut le conserver dans un endroit chaud et sec. Le conserver hors de portée des enfants.
- ④ Même les outils de qualité peuvent éventuellement nécessiter des mesures d'entretien ou le remplacement de pièces en raison de l'usure normale.

8. DÉPISTAGE DES PANNES/ RÉPARATIONS

Le dépiستage de pannes et/ou les réparations ne doivent être réalisés avec les pièces détachées indiquées que par des distributeurs autorisés de la société MAX CO.,LTD. ou tout autre spécialiste qui respectera les informations contenues ici.

INDICE

1. AVVERTENZE GENERALI PER LA SICUREZZA	33
2. ISTRUZIONI PER LA SICUREZZA.....	34
3. SPECIFICHE E DATI TECNICI.....	37
4. ALIMENTAZIONE E COLLEGAMENTO DELL'ARIA COMPRESSA	38
5. ISTRUZIONI PER L'USO	38
6. MANUTENZIONE.....	42
7. IMMAGAZZINAGGIO.....	42
8. DIAGNOSTICA.....	42



PRIMA DI UTILIZZARE QUESTO STRUMENTO, STUDIARE IL MANUALE PER APPRENDERNE LE AVVERTENZE E LE ISTRUZIONI DI SICUREZZA. TENERE QUESTE ISTRUZIONI INSIEME AL COMPRESSORE PER CONSULTAZIONI FUTURE.

ATTENZIONE

1. AVVERTENZE GENERALI PER LA SICUREZZA



ATTENZIONE

LEGGERE IL MANUALE DI ISTRUZIONI

Prima di posizionare, utilizzare o regolare il compressore, si raccomanda di leggere attentamente il presente manuale.



1. INDOSSARE OCCHIALI PROTETTIVI DI LAVORO O DI SICUREZZA

Un pericolo agli occhi è sempre presente a causa della polvere emessa dall'aria di scarico o dall'espulsione di chiodi in seguito ad una manipolazione impropria dell'attrezzo. In questo caso, è necessario portare sempre degli occhiali protettivi di lavoro o di sicurezza quando si utilizza l'attrezzo.

Il datore di lavoro e/o l'utente devono assicurare una protezione adeguata degli occhi degli operatori dell'attrezzo. L'attrezzatura di protezione degli occhi deve rispondere agli standard della Direttiva del Consiglio 89/686/CEE del 21 dicembre 1989 (American National Standards Institute, Norma ANSI Z87.1) ed assicurare una protezione frontale e laterale del viso dell'operatore.

È responsabilità del datore di lavoro assicurare l'impiego dell'attrezzatura di protezione degli occhi da parte dell'operatore dell'attrezzo e da parte di tutti gli altri membri del personale nell'area di lavoro.

NOTA: Gli occhiali senza protezione laterale e frontale non assicurano una protezione corretta.



2. LA PROTEZIONE PER L'UDITO E' D'OBBLIGO IN CERTI AMBIENTI

Poiché le condizioni di lavoro possono includere l'esposizione a elevati livelli di rumore dannosi per l'udito, il datore di lavoro e l'utente dovrebbero verificare la disponibilità di protezioni necessarie per l'udito e l'utilizzo da parte dell'operatore e di coloro che si trovano nell'area di lavoro.



3. TENERE MANI E CORPO LONTANI DALL'ORIFIZIO DI USCITA DI DEL MATERIALE DI FISSAGGIO

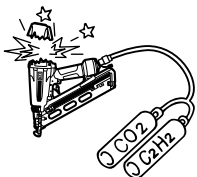
Durante il caricamento e l'uso dell'apparecchio, non mettere mai le mani o altre parti del corpo nella zona di scarico dello strumento. È molto pericoloso colpire le mani o il corpo per errore.



4. NON USARE SULLE IMPALCATURE E SCALE

Non usare sulle impalcature e scale macchine utensili per l'inserimento di elementi di fissaggio, equipaggiate con azionamento a contatto o azionamento continuo a contatto.

2. ISTRUZIONI PER LA SICUREZZA



1. NON USARE SORGENTI DI ENERGIA ALTRE RISPETTO AD UN COMPRESSORE AD ARIA

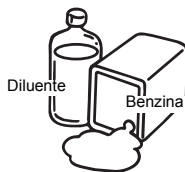
Lo strumento è destinato a operare con aria compressa. Non far funzionare l'apparecchio con nessun altro gas ad alta pressione o con gas combustibili (ad es. ossigeno, acetilene, ecc.) poiché esiste il pericolo di un'esplosione. Per questa ragione, usare esclusivamente un compressore ad aria per far funzionare lo strumento.



2. LAVORARE ENTRO L'ADATTA PORTATA DI PRESSIONE DELL'ARIA

Lo strumento è destinato a operare con una pressione dell'aria che va da 5 a 7 bar (da 70 a 100 p.s.i.). La pressione dovrebbe essere tarata a seconda del pezzo di lavoro da fissare. Lo strumento non deve mai essere utilizzato quando la pressione di esercizio supera 8,3 bar (120 p.s.i.).

Al fine di evitare una rottura dell'utensile, non utilizzare mai un'alimentazione di aria compressa con una pressione potenzialmente superiore a 13,8 bar (200 p.s.i.).



3. NON UTILIZZARE LO STRUMENTO VICINO A UNA SOSTANZA INFIAMMABILE

Non utilizzare mai lo strumento vicino a una sostanza infiammabile (ad es. diluente, benzina, ecc.). Le esalazioni volatili che provengono da queste sostanze potrebbero essere risucchiate nel compressore e successivamente compresse insieme all'aria, provocando un'esplosione.

4. NON UTILIZZATE MAI L'ATTREZZO IN ATMOSFERA ESPLOSIVA

Le scintille dell'attrezzo possono mettere a fuoco i gas atmosferici, la polvere o altri materiali combustibili.

5. NON UTILIZZARE ACCESSORI NON ADATTI

Il connettore sull'apparecchio non deve trattenere pressione quando l'alimentazione dell'aria è disinserita. Se vengono usati accessori non adatti, dell'aria può rimanere intrappolata all'interno dell'apparecchio dopo che l'alimentazione è stata disinserita e ciò può provocare lo sparo di chiodi anche dopo il disinserimento della linea aria, con conseguente rischio di lesioni.



6. QUANDO L'UTENSILE NON VIENE UTILIZZATO, INTERROMPERE L'ALIMENTAZIONE DELL'ARIA COMPRESSA E VUOTARE IL CARICATORE

Disinserire sempre lo strumento dalla presa d'aria e svuotare il caricatore quando le operazioni di lavoro sono terminate o sospese, quando l'attrezzo è lasciato incustodito, durante il suo trasporto in altre aree, durante le operazioni di assemblaggio, riparazione e smontaggio e quando si pulisce lo strumento otturato.



7. CONTROLLARE LA TENUTA DELLE VITI

Viti o bulloni allentati o non installati correttamente sono causa di incidenti e danni all'apparecchio quando viene messo in funzione. Verificare che tutte le viti e i bulloni siano serrati e installati in modo corretto prima di utilizzare l'apparecchio.

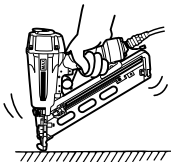


8. **NON TOCCARE IL GRILLETTO A MENO CHE NON SI INTENDA PROCEDERE ALLA POSA DI UN CHIODO**
 Se l'alimentazione dell'aria è collegata all'apparecchio, non toccare mai il grilletto a meno che non si intenda procedere alla posa di un chiodo nel pezzo di lavoro. E' pericoloso spostarsi da un posto all'altro trasportando l'apparecchio con il grilletto premuto: questa e altre azioni simili dovrebbero essere evitate.

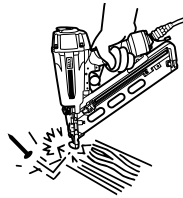


9. **NON PUNTARE L'ORIFIZIO DI ESPULSIONE IN DIREZIONE DI UNA PERSONA O VERSO SE STESSI**
 Se la canna è puntata in direzione di persone, si possono verificare gravi incidenti, nel caso in cui il grilletto venga premuto accidentalmente. Assicurarsi che l'orifizio non sia puntato in direzione di persone quando si collega o si disconnette il tubo, durante il carico o lo scarico dei punti di fissaggio e nel corso di altre operazioni simili.

10. **USATE CHIODI O PUNTI CONSIGLIATI (VEDERE PAGINA 37)**
 L'uso di chiodi o punti diversi da quelli indicati causerà il cattivo funzionamento dell'apparecchio. Assicuratevi di usare solo chiodi o punti consigliati quando utilizzate lo strumento.



11. **COLLOCARE L'ORIFIZIO DI ESPULSIONE SULL'AREA DI LAVORO IN MANIERA CORRETTA**
 Se l'orifizio di espulsione della punta sprachiodi non viene collocato in modo appropriato, il punto di fissaggio rischia di staccarsi violentemente causando un pericolo per l'operatore.



12. **NON INFILARE CHIODI O ALTRI PUNTI DI FISSAGGIO IN PROSSIMITÀ DEL BORDO DEL PEZZO DI LAVORO O SU MATERIALI DI SPESSORE SOTTILE**
 E' possibile che il pezzo di lavoro si spezzi e che il chiodo venga sparato in aria e colpisca qualcuno.



13. **NON INFILATE CHIODI SOPRA AD ALTRI CHIODI**
 Infilare chiodi sopra ad altri chiodi può causare la deviazione del chiodo stesso che, a sua volta, può causare lesioni.

14. **RIMUOVERE I CHIODI AL TERMINE DELL'UTILIZZO**
 Se, dopo aver terminato di utilizzare la macchina, nel caricatore rimangono alcuni chiodi, esiste il pericolo di incidenti gravi prima della ripresa del lavoro nel caso in cui l'apparecchio non venga maneggiato con cura o quando si inseriscono i componenti per il collegamento dell'aria compressa. Per questa ragione, togliere sempre tutti i chiodi rimasti nel caricatore una volta terminato l'utilizzo dell'apparecchio.

15. **CONTROLLARE FREQUENTEMENTE IL FUNZIONAMENTO DEL MECCANISMO DELLA SICURA NEL CASO SI UTILIZZI UN APPARECCHIO CON SICURA PER CONTATTO (CONTACT TRIP)**
 Non usare lo strumento se lo scatto non funziona correttamente in quanto potrebbe accadere che un chiodo parta accidentalmente. Non interferire con il funzionamento corretto del meccanismo della sicura.



16. **UTILIZZO DELL'APPARECCHIO ALL'ESTERNO O IN UN LUOGO SOPRAELEVATO**
 Quando si utilizza lo strumento su tetti o superfici inclinate, iniziare a lavorare dalla parte più bassa e procedere gradualmente verso l'alto. Lavorare in direzione contraria può essere pericoloso in quanto si rischia di perdere il piano d'appoggio. Assicurate il tubo con un cavalletto nell'area in cui si intende lavorare. Possono verificarsi incidenti se il tubo viene tirato inavvertitamente o se rimane impigliato.

17. **NON USARE MAI L'UTENSILE SE UNA PARTE QUALUNQUE DI CONTROLLO DELL'UTENSILE (PER ESEMPIO BRACCIO DI CONTATTO DI SCATTO) RIMANE INOPERABILE, SCOLLEGATA. CAMBIATA O NON FUNZIONA CORRETTAMENTE**

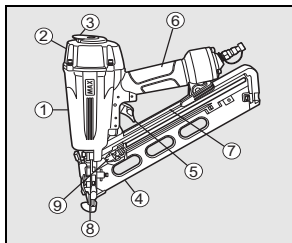
18. **AZIONARE L'UTENSILE ESCLUSIVAMENTE QUANDO SI TROVA SUL PEZZO**
In tal modo si evitano i rischi causati da chiodi sparati in aria e da sollecitazioni eccessive sullo strumento.
 19. **ASSICURARSI SEMPRE CHE LO STRUMENTO ABBA LA SICURA**
 20. **CONSIDERARE LO STRUMENTO COME UN UTENSILE PER IL LAVORO**
 21. **NON UTILIZZARE PER GIOCO**
 22. **NON INSERIRE LA SICURA QUANDO UNA DELLE COMPONENTI È IN FUNZIONE**
 23. **SE È NECESSARIO SMALTIRE L'ATTREZZO O LE SUE PARTI, ATTENERSI ALLE NORMATIVE NAZIONALI IN MATERIA**
 24. **INDOSSARE SEMPRE LA PROTEZIONE PER LA TESTA, LE SCARPE E LA MASCHERA ANTINFORTUNISTICHE IDONEE ALLE CONDIZIONI DI UTILIZZO**
-

OSSERVARE LE SEGUENTI PRECAUZIONI GENERALI IN AGGIUNTA ALLE ALTRE AVVERTENZE CONTENUTE IN QUESTO MANUALE

- Non usare l'apparecchio come un martello.
- Afferrare sempre l'attrezzo dall'impugnatura, e non trasportate mai l'attrezzo impugnando il tubo dell'aria.
- L'apparecchio deve essere usato solo per lo scopo per cui è stato progettato.
- Non eliminare o modificare le componenti dello strumento (ad esempio: il grilletto, l'impugnatura, ecc).
- Se inutilizzato, conservare l'apparecchio in luoghi asciutti, fuori dalla portata dei bambini.
- Non usare l'apparecchio senza l'etichetta "Avvertenze per la Sicurezza".
- Non modificare l'apparecchio rispetto al progetto o alla sua funzione originale senza il consenso della MAX CO.,LTD.
- Non utilizzare lo strumento se si percepisce qualcosa di strano (perdite d'aria, rumori insoliti, funzionamento irregolare.)

3. SPECIFICHE E DATI TECNICI

1. DESCRIZIONE DEI COMPONENTI



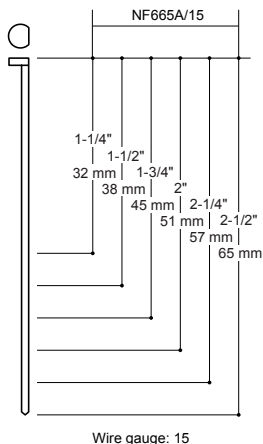
- ① Alloggiamento
- ② Coperchio cilindro
- ③ Coperchio di scarico
- ④ Caricatore
- ⑤ Grilletto
- ⑥ Impugnatura
- ⑦ Etichetta di avvertenza
- ⑧ Uscita
- ⑨ Pulsante

2. SPECIFICHE TECNICHE DELL'UTENSILE

N. PRODOTTO	NF665A/15
ALTEZZA	322 mm (12-5/8")
LARGHEZZA	94 mm (3-11/16")
LUNGHEZZA	322 mm (12-5/8")
PESO	1.8 kg (3.97 lbs)
PRESSIONE DI ESERCIZIO CONSIGLIATA	5 - 7 bar (70 - 100 p.s.i.)
CARICAMENTO	106 Chiodi
FABBISOGNO ARIA COMPRESSA	1,44 l (0,051 ft ³) con pressione di esercizio di 7 bar

* L'utensile è stato progettato con un design compatto per migliorare il bilanciamento del peso operativo.

3. SPECIFICHE PUNTE



COMPONENTI PER IL COLLEGAMENTO DELL'ARIA COMPRESSA:

Questo utensile è dotato di un nipplo di innesto N.P.T. con filettatura esterna da 6 (1/4") mm. Il diametro interno dovrebbe corrispondere almeno a 7 mm (0,28"). Quando l'alimentazione dell'aria è scollegata, il raccordo deve consentire di scaricare la pressione presente all'interno dell'utensile.

PRESSIONE DI ESERCIZIO CONSIGLIATA:

5 - 7 bar (70 - 100 p.s.i.). Affinché il rendimento della sparapunti sia ottimale, regolare la pressione dell'aria impostando un valore compreso all'interno della suddetta gamma.

LA PRESSIONE DI ESERCIZIO NON DEVE ESSERE SUPERIORE A 8,3 BAR (120 p.s.i.).

4. DATI TECNICI

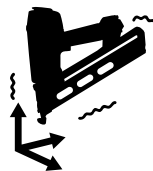
① LIVELLO DI RUMOROSITA'

Livello di potenza sonora ponderata di un singolo evento "A"
----- LWA, 88,8 dB
Indeterminatezza (KWA): 3 dB

Livello di pressione sonora ponderata di un singolo evento "A" sul luogo di lavoro

----- LpA, 87,2 dB
Indeterminatezza (KpA): 3 dB

Tale valore viene determinato e documentato in conformità a EN12549 : 1999.



② VIBRAZIONI

Indice di vibrazione

= 3,04 m/s²

Indeterminatezza (K): 1,5 m/s²

Questi valori sono determinati e documentati in conformità con ISO 8662-11.

Questo valore è un valore di caratteristica associata all'utensile e non rappresenta l'influenza al sistema mano-braccio, quando l'utensile viene usato. Una influenza al sistema mano-braccio quando l'utensile viene usato dipende, per esempio, dalla forza di afferramento, dalla forza di pressione di contatto, dalla direzione di funzionamento, dalla regolazione dell'aria principale, dal pezzo di lavoro, e dal supporto del pezzo di lavoro.

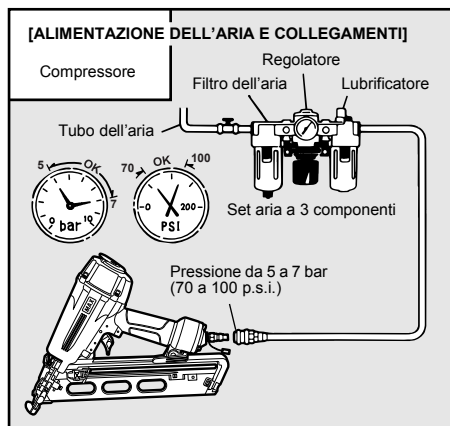
5. CAMPI DI APPLICAZIONE

- * Applicazione di telai di porte e finestre
- * Applicazione di pannelli decorativi in compensato ed esecuzione di altri lavori di finitura interna
- * Montaggio di pannelli a applicazione di pezzi stampati
- * Basi per pavimentazioni
- * Montaggio di mobili compreso il montaggio di cassetti, inchiodatura di pareti posteriori di armadi, applicazione di chiodi nascosti ed altri lavori di finitura
- * Montaggio di armadi

4. ALIMENTAZIONE E COLLEGAMENTO DELL'ARIA COMPRESSA



ATTENZIONE



ACCESSORI: installare un nipplo d'innesto (presa maschio) a flusso libero che allo scollegamento dalla fonte di alimentazione scarichi la pressione dell'aria dall'utensile.

TUBI FLESSIBILI: Il tubo ha un diametro interno minimo di 6 mm (1/4") e una lunghezza massima non superiore a 5 metri (17'). Il tubo dell'aria dovrebbe contenere un raccordo in grado di fornire un "veloce disinserimento" dalla presa maschio sull'apparecchio.

ALIMENTAZIONE: Usare solo aria compressa regolabile e pulita per l'alimentazione dell'utensile.

SET ARIA A 3 COMPONENTI (filtro dell'aria, regolatore, lubrificatore): Riferirsi alle SPECIFICHE DELL'APPARECCHIO per stabilire la corretta pressione di esercizio dell'apparecchio.

NOTA:

Un filtro aiuterà a ottenere prestazioni ottimali e minima usura dell'apparecchio poiché sporco e acqua presenti nell'aria in ingresso, sono le principali cause del deterioramento dell'apparecchio. Per ottenere ottime prestazioni, è necessaria una lubrificazione frequente, ma non eccessiva. L'aggiunta di olio attraverso il collegamento dell'aria lubrificcherà le parti interne.

5. ISTRUZIONI PER L'USO

Leggere la sezione titolata "AVVERTENZE GENERALI PER LA SICUREZZA", "ISTRUZIONI PER LA SICUREZZA"

1. OPERAZIONI PRELIMINARI:

Verificare i punti seguenti prima di utilizzare l'attrezzo.

- 1 Indossare occhiali o visiera di protezione.
- 2 Non azionare l'alimentazione dell'aria compressa.
- 3 Verificare il serraggio delle viti.
- 4 Verificare che il braccio di contatto e il grilletto funzionino correttamente.
- 5 Collegare il tubo di alimentazione dell'aria compressa.
- 6 Verificare l'eventuale presenza di perdite di aria dall'utensile. (L'aria non deve fuoriuscire dall'utensile)
- 7 Impugnare l'utensile (non appoggiare le dita sul grilletto) e premere il braccio di contatto contro il pezzo. (L'utensile non deve essere in funzione)
- 8 Tenere l'utensile in modo tale che il braccio di contatto non tocchi il pezzo e premere il grilletto. (L'utensile non deve essere in funzione).
- 9 Scollegare il tubo di alimentazione dell'aria compressa.



ATTENZIONE



2. FUNZIONAMENTO

Indossare occhiali o visiera di protezione. Un pericolo agli occhi è sempre presente a causa della polvere emessa dall'aria di scarico o dall'espulsione di chiodi in seguito ad una manipolazione impropria dell'attrezzo. In questo caso, è necessario portare sempre degli occhiali protettivi di lavoro o di sicurezza quando si utilizza l'attrezzo. Il datore di lavoro e/o l'utente devono assicurare una protezione adeguata degli occhi degli operatori dell'attrezzo. L'attrezzatura di protezione degli occhi deve rispondere agli standard della Direttiva del Consiglio 89/686/CEE del 21 dicembre 1989 (American National Standards Institute, Norma ANSI Z87.1) ed assicurare una protezione frontale e laterale del viso dell'operatore.

È responsabilità del datore di lavoro assicurare l'impiego dell'attrezzatura di protezione degli occhi da parte dell'operatore dell'attrezzo e da parte di tutti gli altri membri del personale nell'area di lavoro.

NOTA: Gli occhiali senza protezione laterale e frontale non assicurano una protezione corretta.

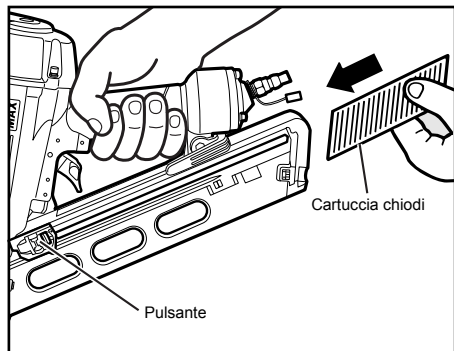


ATTENZIONE

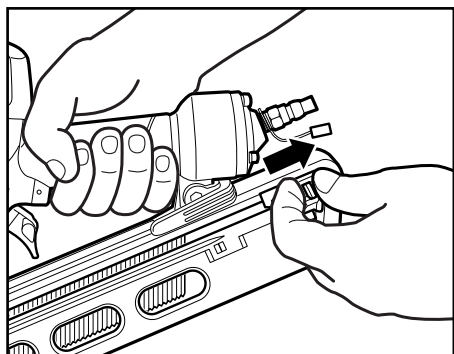


Durante l'applicazione di punti/chiodi, non avvicinare le mani o altre parti del corpo all'orificio di espulsione, al fine di evitare il rischio di possibili lesioni.

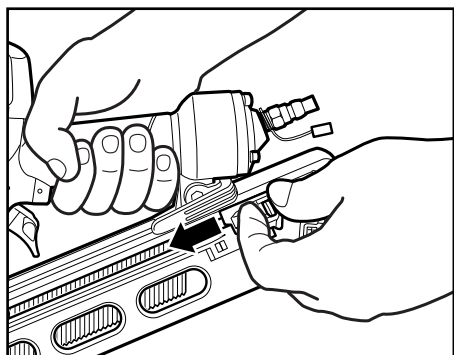
OPERAZIONI DI CARICAMENTO



- ① Inserire la cartuccia chiodi nel caricatore.



- ② Tirare indietro lo spingitoio.



- ③ Rilasciare e far tornare lo spingitoio.

PROVA DI FUNZIONAMENTO

- ① Regolare la pressione dell'aria su 5 bar (70 p.s.i.) e collegare l'alimentazione dell'aria compressa.
- ② Senza azionare il grilletto, premere il braccio di contatto contro il pezzo.
Tirare il grilletto (l'utensile deve sparare il punto).
- ③ Mantenendo l'utensile staccato dal pezzo, premere il grilletto.
Successivamente, premere il braccio di collegamento contro il pezzo. (L'utensile deve sparare il punto quando si seleziona l'azionamento a contatto).
- ④ Regolare la pressione dell'aria compressa al livello più basso possibile, secondo la lunghezza dei punti di fissaggio e la durezza del pezzo di lavoro.

COLLEGAMENTO TUBO FLESSIBILE

Collegare il mandrino pneumatico alla presa dell'aria compressa.



ATTENZIONE

Al collegamento del mandrino pneumatico, non orientare l'orifizio di espulsione dei chiodi verso qualsiasi parte del proprio corpo o verso altre persone e non toccare il grilletto.

POSA DEI PUNTI DI FISSAGGIO

NOTA:

L'utensile viene spedito con la funzione Azionamento sequenziale selezionata.

AZIONAMENTO SEQUENZIALE

L'azionamento sequenziale prevede che l'utensile venga collocato direttamente sul pezzo prima di premere il grilletto.

Questo facilita un'inchiodatura precisa, ad esempio nel caso di incorniciatura, di inchiodatura di pavimento e di assemblaggio delle casse.

L'azionamento sequenziale consente il posizionamento esatto del chiodo senza la possibilità di sparare un secondo chiodo sul contraccolpo, come descritto nella sezione "Meccanismo di scatto per contatto".

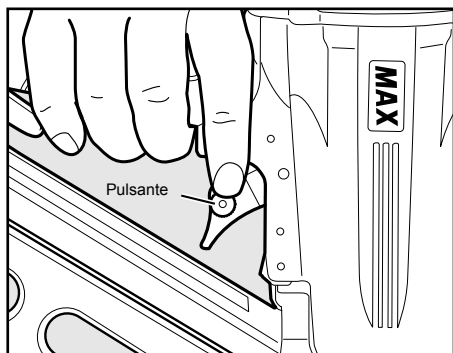
In quanto a sicurezza, gli utensili con azionamento sequenziale offrono il vantaggio di impedire un azionamento accidentale dell'utensile, nel caso in cui questo venga a contatto con il pezzo o con qualsiasi altro oggetto - mentre l'operatore tiene premuto il grilletto.

Commutazione da AZIONAMENTO SEQUENZIALE a MECCANISMO DI SCATTO PER CONTATTO



ATTENZIONE

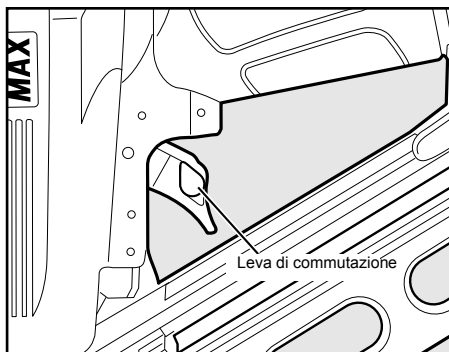
Prima di cambiare il metodo di applicazione, scollegare SEMPRE l'alimentazione dell'aria compressa.



- ① Premere il pulsante sul grilletto.



- ② Ruotare la leva di commutazione in direzione della freccia.

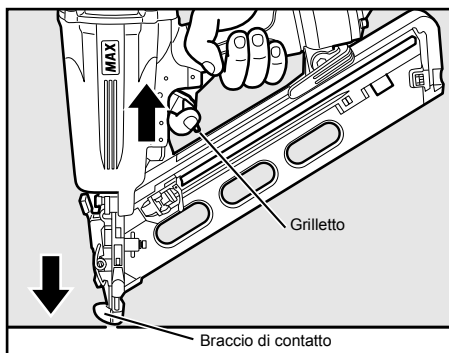


- ③ Posizionare la leva di commutazione come indicato nella figura sopra.

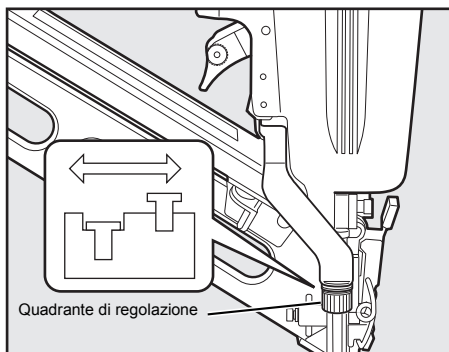
MECCANISMO DI SCATTO PER CONTATTO

La normale modalità di funzionamento dell'utensile dotato di meccanismo di scatto per contatto prevede che l'operatore, per espellere un chiodo/punto, collochi l'utensile direttamente a contatto con il pezzo mantenendo premuto il grilletto.

Tutti gli utensili ad aria compressa per l'applicazione di materiale di fissaggio sono soggetti al contraccolpo. E' quindi possibile che un eventuale urto determini l'azionamento del meccanismo di scatto per contatto; caso in cui, tenendo ancora premuto il grilletto, la superficie del pezzo venga inavvertitamente urtata di nuovo, verrà sganciato un second chiodo/punto.



MANOPOLA DI REGOLAZIONE DELLA PROFONDITÀ DI INSERIMENTO



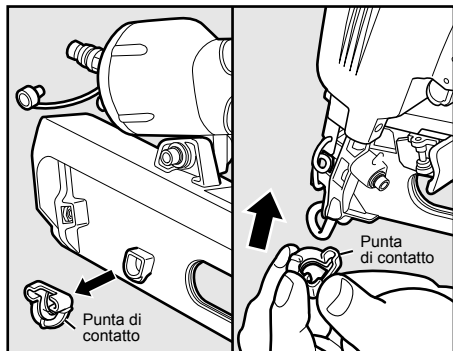


ATTENZIONE

Prima di spostare il disco di regolazione, scollegare **SEMPRE** l'alimentazione dell'aria compressa.

- ① Nel caso fosse necessaria una regolazione, scollegare l'alimentazione dell'aria compressa.
- ② Il segno presente sul braccio di contatto indica la direzione in cui dovrà essere ruotato il disco di regolazione.
- ③ Attivare di nuovo l'alimentazione dell'aria compressa.

PUNTA DI CONTATTO



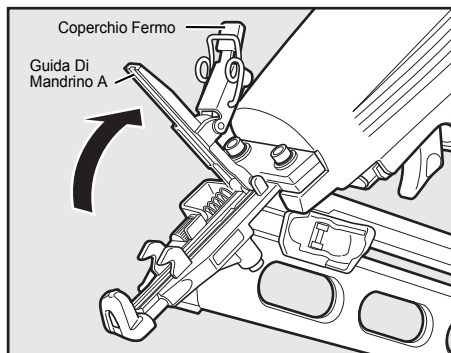
ATTENZIONE

Prima di applicare la punta di contatto, scollegare **SEMPRE** l'alimentazione dell'aria compressa.

La punta di contatto viene applicata sull'estremità del braccio di contatto quando i chiodi vengono utilizzati per fissare un materiale morbido.

Utilizzare opportunamente la punta di contatto sul retro del lato posteriore del caricatore.

RIMOZIONE DI CHIODI INCEPPATI (NF655/15)

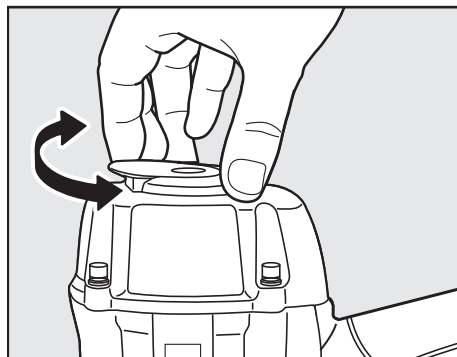


ATTENZIONE

Scollegare **SEMPRE** l'aria compressa prima di rimuovere i chiodi inceppati.

- ① Scollegare il tubo flessibile dell'aria compressa.
- ② Rimuovere i chiodi dal caricatore.
- ③ Aprire il coperchio fermo, e quindi sollevare per aprire la guida di mandrino A.
- ④ Togliere dal caricatore le 4 viti a testa esagonale incassata.
- ⑤ Chiudere la guida di mandrino A e il coperchio fermo.

COPERCHIO SCARICO DIREZIONALE



ATTENZIONE

Scollegare **SEMPRE** l'alimentazione dell'aria prima di ruotare il coperchio di scarico.

La direzione dell'aria di scarico può essere modificata ruotando il coperchio di scarico a mano.

6. MANUTENZIONE

1 CIRCA L'ANNO DI PRODUZIONE

Questo prodotto presenta il numero di produzione sulla parte inferiore della presa del corpo principale. Le due cifre del numero da sinistra indicano l'anno di produzione.

(Esempio)

1 6 8 2 6 0 3 5 D



Anno 2016

2 NON SCATTARE LA SPARACHIODI QUANDO È VUOTA

3 USARE UN SET ARIA A 3 COMPONENTI

Il mancato utilizzo del set aria a tre componenti fa sì che umidità e sporco presenti all'interno del compressore passino direttamente nello strumento causando la formazione di ruggine, usura e provocando malfunzionamenti. La distanza del tubo tra il set aria e lo strumento non dovrebbe superare i 5 metri poiché una lunghezza maggiore porterà a una riduzione della pressione dell'aria.

4 USARE OLIO CONSIGLIATO

Per lubrificare lo strumento, utilizzare olio per mandrini o per turbine. Al termine delle operazioni, applicare 2 o 3 gocce di olio nella presa dell'aria con il lubrificatore. (Olio consigliato: ISO VG32)

5 PROCEDERE ALLA VERIFICA E ALLA MANUTENZIONE DELL'UTENSILE QUOTIDIANAMENTE O OGNIQUALVOLTA SI ESEGUE LA MESSA IN FUNZIONE



ATTENZIONE

Prima di procedere alla verifica o alla manutenzione dell'utensile, interrompere l'alimentazione dell'aria compressa e vuotare il caricatore.

- (1) Scaricare il filtro della linea aria e il compressore.
- (2) Mantenere pieno il dispositivo di lubrificazione presente nel set aria compressa a 3 elementi.
- (3) Pulire l'elemento del filtro del gruppo aria a 3 elementi.
- (4) Serrare tutte le viti.

7. IMMAGAZZINAGGIO

- 1 Al fine di evitare la formazione di ruggine, applicare un sottile strato di lubrificante sulle parti in acciaio prima di riporre l'utensile per un periodo prolungato.
- 2 Non conservare l'utensile a temperature ridotte, bensì in luoghi caldi.
- 3 Quando l'utensile non viene utilizzato, conservarlo in luoghi caldi e asciutti. Riporre l'utensile fuori dalla portata dei bambini.
- 4 L'usura determinata dal normale impiego di un qualsiasi utensile di qualità rende sempre necessaria l'esecuzione della manutenzione o la sostituzione di componenti.

8. DIAGNOSTICA

La diagnostica e/o le operazioni di riparazione possono essere effettuate esclusivamente da distributori autorizzati MAX CO., LTD. o da altro personale specializzato con pezzi di ricambio specificati.

MANUAL DE FUNCIONAMIENTO Y MANTENIMIENTO

ÍNDICE

1. ADVERTENCIAS GENERALES DE SEGURIDAD	43
2. INSTRUCCIONES DE SEGURIDAD	44
3. ESPECIFICACIONES Y DATOS TÉCNICOS	47
4. SUMINISTRO DE AIRE COMPRIMIDO Y CONEXIONES	48
5. INSTRUCCIONES DE FUNCIONAMIENTO	48
6. MANTENIMIENTO	52
7. ALMACENAMIENTO	52
8. LOCALIZACIÓN DE AVERÍAS/REPARACIONES	52



ANTES DE UTILIZAR ESTA HERRAMIENTA, LEA DETENIDAMENTE ESTE MANUAL PARA FAMILIARIZARSE CON LAS ADVERTENCIAS E INSTRUCCIONES DE SEGURIDAD. CONSERVE ESTAS INSTRUCCIONES JUNTO CON LA HERRAMIENTA PARA FUTURAS CONSULTAS.

ADVERTENCIA

1. ADVERTENCIAS GENERALES DE SEGURIDAD



ADVERTENCIA

LEA EL MANUAL DE INSTRUCCIONES

Antes de instalar, operar o ajustar el compresor, lea detenidamente el manual de instrucciones.



- 1. LLEVE GAFAS PROTECTORAS O DE SEGURIDAD**
La zona de los ojos se encuentra siempre bajo peligro potencial debido a la presencia de polvo en el aire expulsado o a la posibilidad de que una grapa o un clavo salgan despedidos si se manipula la herramienta de manera incorrecta. Por ese motivo, es necesario utilizar siempre gafas protectoras o de seguridad al utilizar la herramienta.
El encargado y/o el usuario deben asegurarse de llevar protección ocular apropiada. El equipo de protección ocular debe responder a las exigencias de la Directiva del Consejo 89/686/CEE del 21 de diciembre de 1989 (Instituto Nacional Americano de Normalización, ANSI Z87.1) y asegurar una protección tanto frontal como lateral. El encargado es responsable de imponer el uso de equipamiento de protección ocular al operador de la herramienta, así como al resto de los trabajadores en la zona de trabajo.
NOTA: Las gafas sin protección lateral y las pantallas únicamente frontales no aseguran una protección adecuada.
- 2. EN ALGUNAS CIRCUNSTANCIAS PUEDE SER NECESARIO UTILIZAR PROTECCIÓN DE OÍDOS**
El usuario puede estar expuesto a un nivel elevado de ruido, que puede causar daños al oído. El encargado y/o usuario deben asegurarse de utilizar la protección necesaria y de que el resto de los trabajadores la utilicen en la zona de trabajo.





3. MANTENGA LAS MANOS Y EL CUERPO ALEJADOS DE LA SALIDA DE DESCARGA

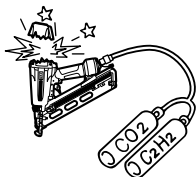
Al cargar y usar la herramienta no coloque ni la mano ni ninguna parte del cuerpo sobre la salida de descarga, ya que puede resultar muy peligroso. Es muy peligroso golpear las manos o el cuerpo por error.



4. NO UTILICE EN ANDAMIOS NI ESCALERAS DE MANO

No utilice en andamios ni escaleras de mano con herramientas remachadoras con actuación por contacto ni actuación por contacto continuo.

2. INSTRUCCIONES DE SEGURIDAD



1. NO UTILICE NINGUNA FUENTE DE ENERGÍA EXCEPTO UN COMPRESOR DE AIRE

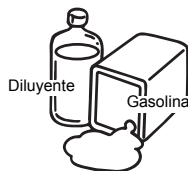
La herramienta está diseñada para funcionar con aire comprimido. No utilice la herramienta con ningún otro gas de alta presión, gases combustibles (por ejemplo, oxígeno, acetileno, etc.) ya que existe el peligro de explosión. Por esta razón, es imprescindible utilizar únicamente un compresor de aire para el funcionamiento de la herramienta.



2. UTILICE DENTRO DEL LÍMITE DE PRESIÓN DE AIRE ADECUADO

La herramienta está diseñada para funcionar dentro de un intervalo de presión de aire de 5 a 7 bar (70 a 100 p.s.i.). La presión debería adaptarse dependiendo de la clase de trabajo. Nunca debe utilizarse la herramienta cuando la presión de funcionamiento sea superior a 8,3 bar (120 p.s.i.).

Nunca conecte la herramienta a una alimentación de aire comprimido cuya presión pueda superar los 13,8 bares (200 p.s.i.) porque podría reventar.



3. NO UTILICE LA HERRAMIENTA CERCA DE SUSTANCIAS INFLAMABLES

Nunca utilice la herramienta cerca de sustancias inflamables (por ejemplo diluyente, gasolina, etc.). Los gases volátiles de estas sustancias podrían ser comprimidos junto con el aire dentro del compresor pudiendo provocar una explosión.



4. NUNCA UTILICE LA HERRAMIENTA EN UN AMBIENTE EXPLOSIVO

Las chispas de la herramienta pueden inflamar gases atmosféricos, polvo u otros materiales combustibles.

5. NO UTILICE ACCESORIOS INADECUADOS

El conector de la herramienta no debe contener presión cuando el suministro de aire comprimido esté desconectado. Si se utiliza un accesorio inadecuado, la herramienta puede permanecer cargada con aire tras desconectarla y, por lo tanto, puede continuar funcionando incluso tras haber desconectado el suministro de aire comprimido y causar daños.



6. MIENTRAS LA HERRAMIENTA NO ESTE EN USO, DESCONECTE EL SUMINISTRO DE AIRE COMPRIMIDO Y VACÍE EL CARTUCHO

Desconecte siempre el suministro de aire comprimido desde la herramienta y vacíe el cartucho cuando se ha completado o interrumpido la operación, cuando permanece sin supervisión, cuando se traslada a una zona de trabajo diferente, cuando se ajusta, desmonta o repara la herramienta, así como cuando se desatasca una grapa.



7. COMPRUEBE LA TENSIÓN DE LOS TORNILLOS

Los tornillos flojos o mal instalados pueden causar accidentes y daños a la herramienta durante el uso. Compruebe que todos los tornillos estén apretados y bien instalados antes de utilizar la herramienta.



8. NO TOQUE EL GATILLO A MENOS QUE TENGA INTENCIÓN DE UTILIZARLO

Cuando el suministro de aire comprimido esté conectado a la herramienta, nunca toque el gatillo a menos que tenga intención de utilizarlo. Es peligroso llevar la herramienta con el gatillo apretado; esta acción y cualquier otra semejante deben evitarse.

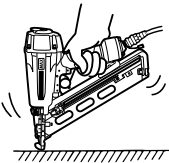


9. NUNCA APUNTE LA SALIDA DE DESCARGA HACIA USTED U OTRAS PERSONAS

Si la salida de descarga apunta a personas pueden ocasionarse serios accidentes en caso de disparo accidental. Asegúrese de que la salida de descarga no esté apuntada hacia ninguna persona cuando conecte y desconecte la manguera, cargue y descargue las grapas o realice operaciones similares.

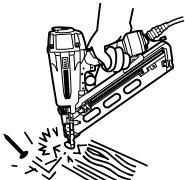
10. UTILICE GRAPAS ESPECÍFICAS (VÉASE PÁGINA 47)

El uso de grapas que no sean las específicas puede causar el funcionamiento incorrecto de la herramienta. Asegúrese de utilizar únicamente grapas específicas.



11. COLOQUE LA SALIDA DE DESCARGA SOBRE LA SUPERFICIE DE TRABAJO DEL MODO CORRECTO

Si se olvida de poner la salida de descarga situada en la punta del cargador de la manera correcta, se puede provocar que una grapa salga disparada hacia arriba y esto es extremadamente peligroso.



12. NO GRAPE JUNTO AL BORDE DE SUPERFICIES O MATERIALES FINOS

Es probable que la superficie se parta o desgarre y la grapa podría saltar y dañar a alguien.



13. NO GRAPE SOBRE OTRAS GRAPAS

Grapar sobre otras grapas puede causar desvío que, a su vez, podría causar daños.

14. quite las grapas después de completar la operación

Si se dejan las grapas puestas tras completar la operación, existe el peligro de un accidente grave si se maneja la herramienta de forma descuidada o al conectar la válvula de aire. Por este motivo es imprescindible quitar todas las grapas que queden en el cartucho tras completar la operación.

15. COMPROBAR LA OPERACIÓN MECANISMO DE CONTACTO CON FRECUENCIA EN CASO DE UTILIZAR UNA HERRAMIENTA DE TIPO "TRIP" CONTACTO

No utilizar la herramienta si "trip" no funciona correctamente, ya que puede grapar sin querer. No tocar la operación propia del mecanismo "trip" contacto.



16. UTILIZACIÓN DE LA HERRAMIENTA AL AIRE LIBRE O EN SITIOS ELEVADOS

A la hora de grapar tejados u otras superficies inclinadas, empiece en la parte inferior y suba poco a poco. Grapar hacia atrás es peligroso ya que se puede resbalar. Asegure la manguera cerca de la zona donde se va a grapar. Se pueden provocar accidentes si se tira de la manguera de modo fortuito o si se engancha.

17. NUNCA UTILICE LA HERRAMIENTA SI CUALQUIER PORCIÓN DE LOS CONTROLES DE LA HERRAMIENTA (POR EJEMPLO, DISPARADOR, BRAZO DE CONTACTO) ES INOPERABLE, DESCONECTADA, ALTERADA O NO OPERA CORRECTAMENTE

18. NUNCA DISPARE AL AIRE

Esto evitará todo peligro causado por grapas que pueden salir disparadas así como un sobreesfuerzo innecesario de la herramienta.

19. SIEMPRE SE DEBE ASUMIR QUE LA HERRAMIENTA CONTIENE GRAPAS

20. DEBE RESPETAR LA HERRAMIENTA COMO UN IMPLEMENTO DE TRABAJO

21. NO JUEGUE HACIENDO BROMAS

22. NUNCA CARGUE LA HERRAMIENTA CON LOS AFIANZADORES CUANDO CUALQUIERA DE LOS CONTROLES DE OPERACIÓN (ej.: DISPARADOR, BRAZO DE CONTACTO) SE ENCUENTRA ACTIVADO

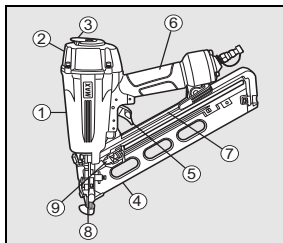
23. CUANDO SE DESECHEN LA MÁQUINA O SUS PIEZAS, DEBEN SEGUIRSE LAS NORMATIVAS NACIONALES PERTINENTES
24. LLEVE SIEMPRE PROTECCIÓN PARA LA CABEZA, CALZADO DE SEGURIDAD Y MASCARILLA PARA GARANTIZAR UNAS CONDICIONES DE TRABAJO ADECUADAS

OBSERVE LAS PRECAUCIONES SIGUIENTES JUNTO CON EL RESTO DE ADVERTENCIAS INCLUIDAS EN ESTE MANUAL

- No utilice la herramienta como martillo.
- Agarre siempre la herramienta por el mango y nunca la sujete por los tubos de aire.
- La herramienta debe utilizarse únicamente para el propósito para el que fue designada.
- Nunca retire, fuerce los controles de operación (ej.: DISPARADOR, BRAZO DE CONTACTO)
- Cuando la herramienta no se esté utilizando, guárdela en un lugar seco fuera del alcance de los niños.
- No utilice la herramienta sin la etiqueta de Advertencia de seguridad.
- No modifique el diseño original ni la función de la herramienta sin la aprobación de MAX CO., LTD.
- No utilice la herramienta si detecta alguna anomalía (fuga de aire, ruido extraño, funcionamiento inusual).

3. ESPECIFICACIONES Y DATOS TÉCNICOS

1. DENOMINACIÓN DE LAS PIEZAS



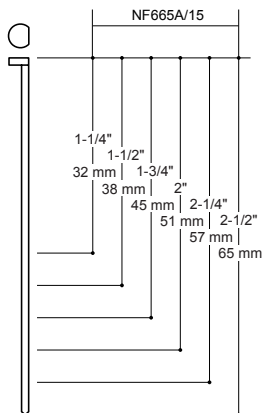
- ① Carcasa
- ② Tapa del cilindro
- ③ Cubierta de salida de aire
- ④ Cartucho
- ⑤ Gatillo
- ⑥ Asa o mango
- ⑦ Etiqueta de advertencia
- ⑧ Salida
- ⑨ Empujador

2. ESPECIFICACIONES DE LA HERRAMIENTA

Nº DE PRODUCTO	NF665A/15
ALTURA	322 mm (12-5/8")
ANCHURA	94 mm (3-11/16")
LONGITUD	322 mm (12-5/8")
PESO	1.8 kg (3.97 lbs)
PRESIÓN DE FUNCIONAMIENTO RECOMENDADA	De 5 a 7 bares (70 a 100 p.s.i.)
CAPACIDAD DE CARGA	106 Clavos
CONSUMO DE AIRE	1,44 ℓ (0,051 ft ³) a 7 bares de presión de funcionamiento

* La herramienta tiene un diseño compacto para mejorar el equilibrio durante el funcionamiento.

3. ESPECIFICACIÓN DE LOS CLAVILLOS



Wire gauge: 15

PIEZAS DE CONEXIÓN PARA EL AIRE COMPRIMIDO:

Este aparato está equipado con una boquilla de empalme con rosca exterior de 1/4" N.P.T.. El diámetro interior debería ser de 7 mm (0,28") o superior. La pieza de empalme debe permitir la descarga de presión del aparato en caso de interrupción de la alimentación de aire comprimido.

PRESIÓN DE FUNCIONAMIENTO RECOMENDADA:

5 a 7 bar (70 a 100 p.s.i.). Para garantizar el rendimiento óptimo del clavador, la presión del aire debe ser regulada dentro de este campo.

LA PRESIÓN NO DEBE SER SUPERIOR A 8,3 bar (120 p.s.i.).

4. DATOS TÉCNICOS

① NIVEL DE RUIDO

Nivel de potencia acústica por impulsos A

----- LWA, 88,8 dB

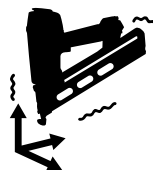
Incertidumbre (KWA): 3 dB

Nivel de intensidad acústica por impulsos A en la zona de trabajo

----- LpA, 87,2 dB

Incertidumbre (KpA): 3 dB

La determinación y documentación de estos valores se realiza según la norma EN12549 : 1999.



② VIBRACIONES

Índice de vibraciones

= 3,04 m/s²

Incertidumbre (K): 1,5 m/s²

Estos valores se determinan y se documentan de acuerdo con ISO 8662-11.

Este valor es un valor característico relacionado a la herramienta y no representa la influencia al sistema manobrazo al usar la herramienta. Una influencia al sistema manobrazo cuando se usa la herramienta, por ejemplo, dependerá de la fuerza de agarre, la fuerza de presión de contacto, la dirección de trabajo, el ajuste del suministro de aire principal, el lugar de trabajo, el soporte de los objetos de trabajo.

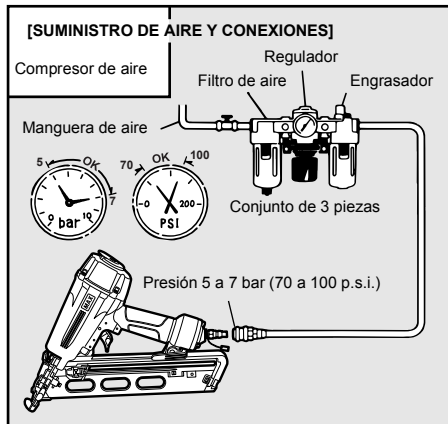
5. CAMPOS DE APLICACIÓN

- * Montaje de cerros de puerta y de ventana
- * Contrachapados, tableros decorativos y otros trabajos de acabados interiores.
- * Montaje de paneles y molduras
- * Entablado de suelos
- * Montaje de mobiliario, incluyendo la fabricación de cajones, clavado de traseras, clavados ocultos y otros trabajos de acabado.
- * Montaje de armarios

4. SUMINISTRO DE AIRE COMPRIMIDO Y CONEXIONES



ADVERTENCIA



ACCESORIOS: Instale un enchufe macho a la herramienta, permitiendo una corriente libre y liberando así presión de la herramienta cuando se desconecta de la fuente de suministro.

MANGUERAS: La manguera tiene un diámetro interior mínimo de 6 mm (1/4") y una longitud máxima de 5 metros (17'). La manguera debe estar equipada con un accesorio que permita la "desconexión rápida" del enchufe macho.

FUENTE DE SUMINISTRO: Utilice únicamente aire comprimido regularizado limpio como fuente de energía para la herramienta.

CONJUNTO DE 3 PIEZAS (Filtro de aire, regulador, engrasador): Consulte las especificaciones de la herramienta para ajustar la presión de funcionamiento adecuada.

NOTA:

El uso de un filtro mejora el funcionamiento y reduce el desgaste de la herramienta, ya que la suciedad y el agua en el suministro de aire son las causas principales del desgaste de la herramienta.

Es necesario lubricar con frecuencia, pero no en exceso, para obtener un perfecto funcionamiento. El aceite que se añade a la conexión de suministro de aire lubrica las partes internas.

5. INSTRUCCIONES DE FUNCIONAMIENTO

Lea la sección titulada "ADVERTENCIAS GENERALES DE SEGURIDAD", "INSTRUCCIONES DE SEGURIDAD".

1. PREVIO AL USO

Verifique los puntos siguientes antes de utilizar la herramienta.

- 1 Lleve gafas de seguridad o protectoras.
- 2 No conecte el aire comprimido.
- 3 Compruebe la firmeza de los tornillos.
- 4 Compruebe el funcionamiento del brazo de contacto y la marcha fácil del disparador.
- 5 Conecte el aire comprimido.
- 6 Compruebe la herramienta en cuanto a fugas de aire. (No deben existir fugas de aire.)
- 7 Sujete la herramienta (sin colocar el dedo en el disparador) y apriete el brazo de contacto contra la pieza. (La herramienta no debe funcionar.)
- 8 Mantenga la herramienta de modo que el brazo de contacto no esté aplicado contra la pieza, y accione el disparador. (La herramienta no debe funcionar.)
- 9 Mientras la herramienta no se esté utilizando, desconectar el suministro de aire comprimido y vaciar el cartucho.



ADVERTENCIA



2. FUNCIONAMIENTO

Lleve gafas de seguridad o protectoras. La zona de los ojos se encuentra siempre bajo peligro potencial debido a la presencia de polvo en el aire expulsado o a la posibilidad de que una grapa o un clavo salgan despedidos si se manipula la herramienta de manera incorrecta. Por ese motivo, es necesario utilizar siempre gafas protectoras o de seguridad al utilizar la herramienta.

El encargado y/o el usuario deben asegurarse de llevar protección ocular apropiada. El equipo de protección ocular debe responder a las exigencias de la Directiva del Consejo 89/686/CEE del 21 de diciembre de 1989 (Instituto Nacional Americano de Normalización, ANSI Z87.1) y asegurar una protección tanto frontal como lateral.

El encargado es responsable de imponer el uso de equipamiento de protección ocular al operador de la herramienta, así como al resto de los trabajadores en la zona de trabajo.

NOTA: Las gafas sin protección lateral y las pantallas únicamente frontales no aseguran una protección adecuada.

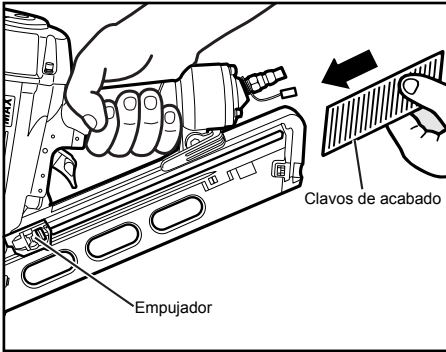


ADVERTENCIA

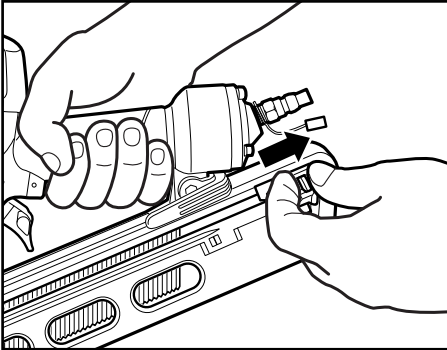


Durante el proceso de grapar/clavar, las manos y el cuerpo deben mantenerse alejados del orificio de salida ya que existe el riesgo de resultar heridos accidentalmente.

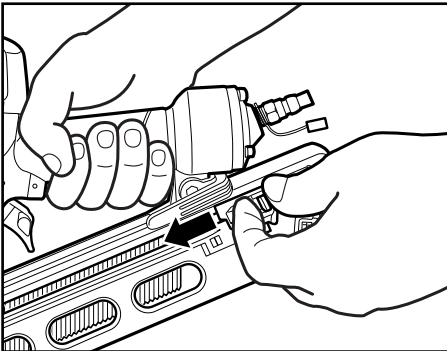
LLENAR EL CARGADOR



- 1 Inserte los clavos de acabado en el cargador.



- 2 Tire hacia atrás del empujador.



- 3 Suelte y devuelva el empujador.

PRUEBA DE FUNCIONAMIENTO

- 1 Ajuste la presión del aire a 5 bar (70 p.s.i.) y conecte el suministro de aire comprimido.
- 2 Sin tocar el disparador, apriete el brazo de contacto contra la pieza.
- 3 Presione el gatillo (La herramienta debe disparar la grapa). Accione el disparador sin que la herramienta esté aplicada contra la pieza.
A continuación, apriete el brazo de conexión contra la pieza. (La herramienta debe disparar la grapa al seleccionar la actuación por contacto.)
- 4 Ajuste la presión atmosférica a un nivel lo más bajo posible, dependiendo de la longitud de la grapa y la dureza de la pieza de trabajo.

CONEXIÓN DE LA MANGUERA DE AIRE

Conecte el mandril neumático de sujeción a la boquilla de entrada de aire.



ADVERTENCIA

Durante la conexión de la manguera de aire comprimido, el orificio de salida de clavos no debe estar dirigido al cuerpo del operario ni a otras personas, y no se debe tocar la palanca de accionamiento.

GRAPAS DE INTRODUCCIÓN

NOTA:

Esta herramienta se envía con el DISPARO SECUENCIAL seleccionado.

DISPARO SECUENCIAL

En caso de realizar un disparo secuencial, es necesario tocar la pieza con el aparato antes de apretar la palanca de accionamiento.

Esto facilita la colocación precisa de la grapa, por ejemplo, para aplicaciones de enmarcado, clavado diagonal y elaboración de cajones. El disparo secuencial permite la ubicación exacta de la grapa sin la posibilidad de disparar una segunda grapa en el retroceso, como se describe en "Accionamiento por contacto".

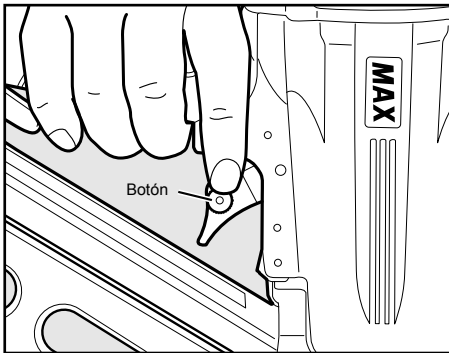
Los aparatos con disparo secuencial ofrecen las siguientes ventajas a nivel de seguridad: no se puede producir un disparo accidental al tocar la pieza u otro objeto con el aparato, estando apretada la palanca de accionamiento.

Cambio de DISPARO SECUENCIAL a ACCIONAMIENTO POR CONTACTO

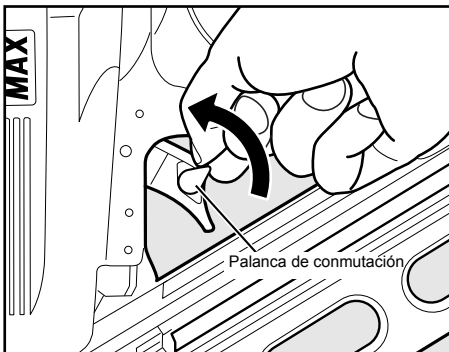


ADVERTENCIA

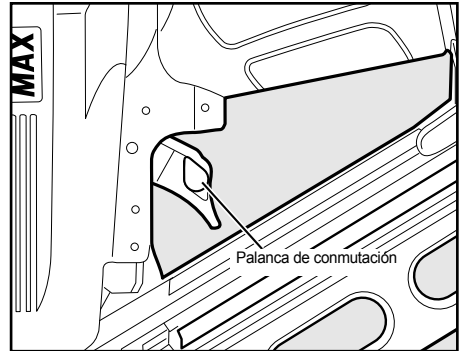
Antes de cambiar el método de accionamiento, desconectar SIEMPRE la alimentación de aire comprimido.



- ① Pulse el botón del gatillo.



- ② Coloque la palanca de conmutación en la dirección de la flecha.

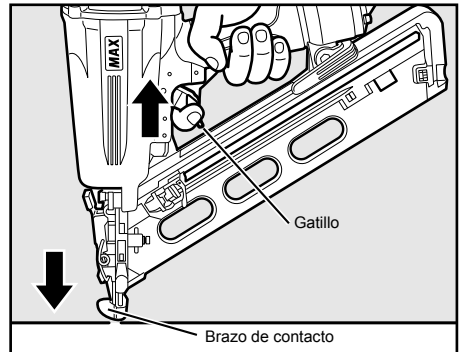


- ③ Coloque la palanca de conmutación como muestra la imagen anterior.

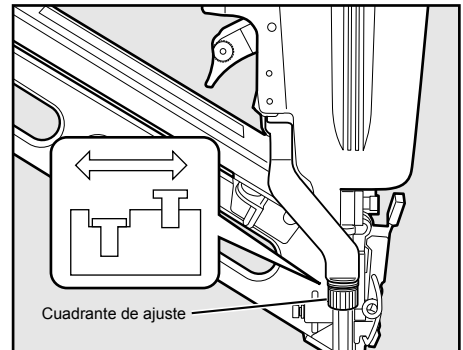
ACCIONAMIENTO POR CONTACTO

El funcionamiento normal de los aparatos con accionamiento por contacto prevé que, para efectuar un disparo, el operario toque la pieza con el aparato mientras mantiene apretada la palanca de accionamiento.

Todas las herramientas neumáticas para la aplicación de clavos y grapas son susceptibles de presentar retrocesos. Existe el peligro de que el aparato dispare el accionamiento por contacto en caso de choque; si, en este caso, se vuelve a tocar involuntariamente la superficie de la pieza mientras la palanca de accionamiento está todavía apretada, se produce un segundo disparo accidental.



DISCO DE AJUSTE DE LA PROFUNDIDAD DE CLAVADO



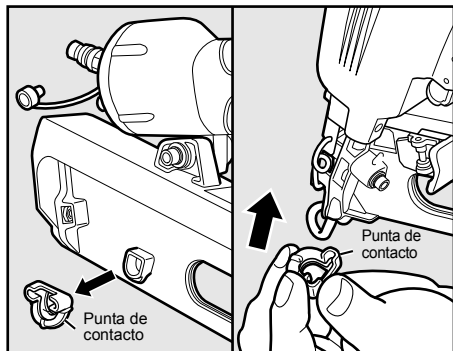


ADVERTENCIA

Antes de girar el disco de ajuste, desconectar SIEMPRE la alimentación de aire comprimido.

- ① Si es necesario realizar el ajuste, desconectar la alimentación de aire comprimido.
- ② La marca en el brazo de contacto indica el sentido en el cual se ha de girar el disco de ajuste.
- ③ Volver a conectar la alimentación de aire comprimido.

PUNTA DE CONTACTO

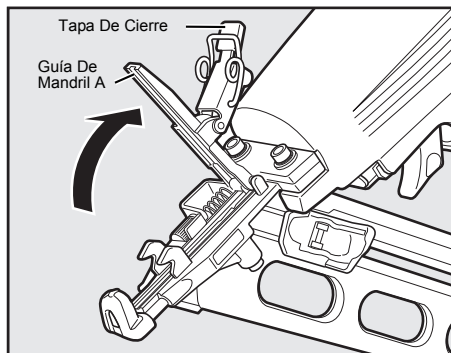


ADVERTENCIA

Antes de colocar la punta de contacto, desconectar SIEMPRE la alimentación de aire comprimido. La punta de contacto se coloca en la punta del brazo de contacto para clavar materiales blandos.

Utilice la punta de contacto en la parte posterior del lado trasero del cartucho según sea necesario.

RETIRAR CLAVOS BLOQUEADOS (NF655/15)

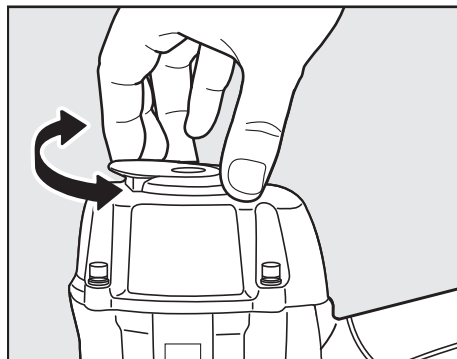


ADVERTENCIA

Desconecte SIEMPRE la alimentación de aire comprimido antes de retirar clavos bloqueados.

- ① Desconecte la manguera de aire comprimido.
- ② Saque el juego de clavos del cartucho.
- ③ Abra la tapa de cierre, y después tire hacia arriba para abrir la guía de mandril.
- ④ Extraiga los 4 tornillos de cabeza hexagonal del cartucho.
- ⑤ Cierre la guía de mandril y la tapa de cierre.

CUBIERTA DE SALIDA DE AIRE DIRECCIONAL



ADVERTENCIA

Desconecte SIEMPRE el suministro de aire antes de girar la cubi-erta de salida de aire.

La dirección del aire saliente puede cambiarse girando la cubi-erta de salida de aire con la mano.

6. MANTENIMIENTO

1 ACERCA DEL AÑO DE PRODUCCIÓN

Este producto tiene el número de producción en la parte inferior del mango del cuerpo principal. Los dos dígitos del número de la izquierda indican el año de producción.

(Ejemplo)

1 6 8 2 6 0 3 5 D

T

Año 2016

2 NO DISPARE LA CLAVADORA CUANDO ESTÉ VACÍA

3 UTILICE EL REGULADOR DE PRESIÓN DE 3 PIEZAS

Si no se utiliza un regulador de presión la humedad y la suciedad pasan directamente a la grapadora. Esto provoca oxidación y desgaste y un funcionamiento deficiente. La longitud de la manguera entre el regulador y la grapadora no debe sobrepasar los 5 metros; una longitud superior reduciría la presión de aire.

4 UTILICE EL ACEITE RECOMENDADO

Se debe utilizar aceite turbina o extraligero para lubricar la herramienta. Una vez finalizadas las operaciones, eche dos o tres gotas de aceite en la boquilla de entrada de la herramienta. (Aceite recomendado : ISO VG32)

5 PROCEDA A LA VERIFICACIÓN Y AL MANTENIMIENTO DE LA GRAPADORA O CLAVADORA PERIÓDICAMENTE O ANTES DE CADA USO



ADVERTENCIA

Antes de proceder a la verificación o al mantenimiento, desconecte el suministro de aire comprimido y vacíe el cartucho.

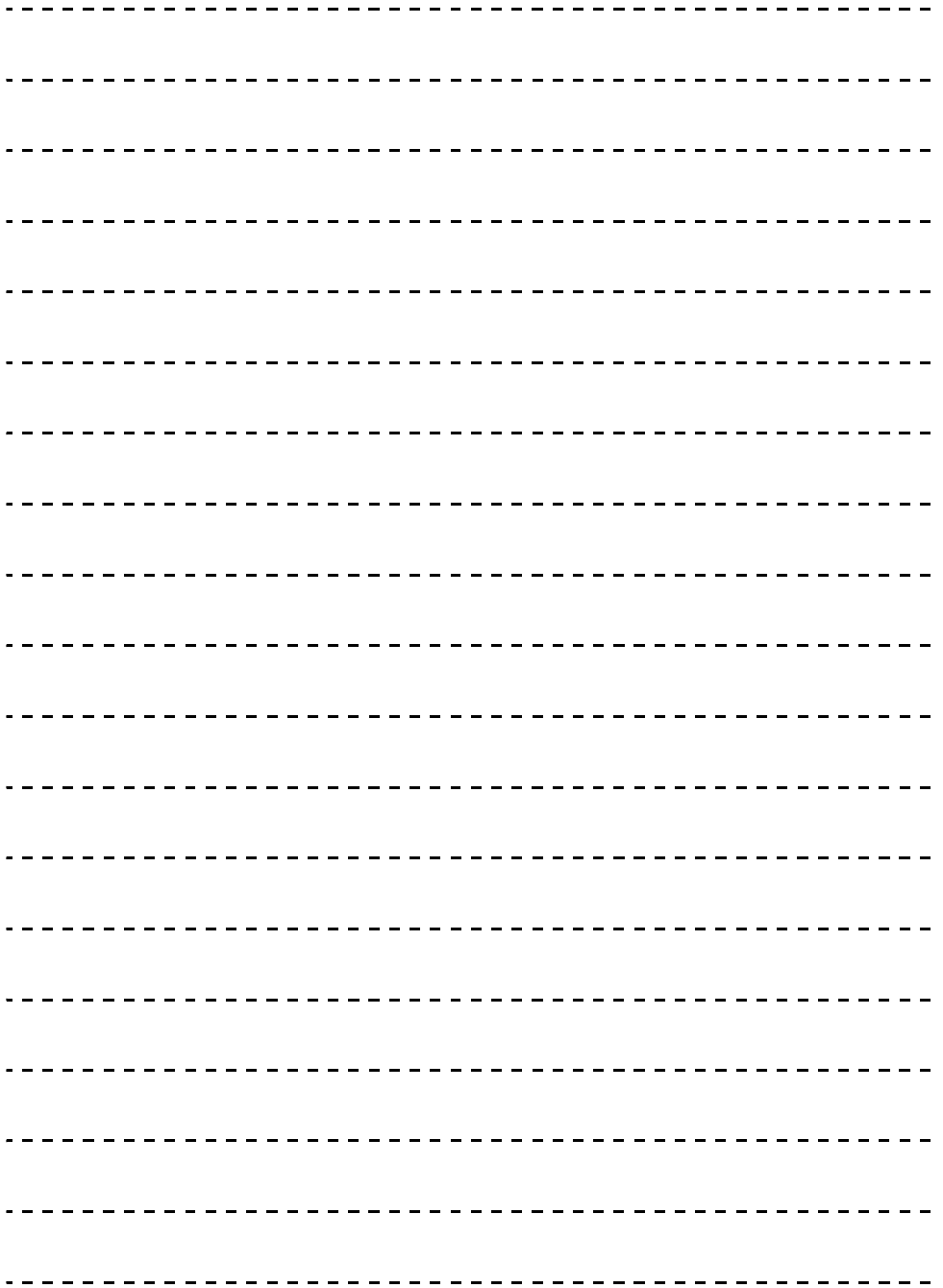
- (1) Vacíe el filtro del suministro de aire y del compresor.
- (2) Mantenga lleno el dispositivo de lubricación presente en el set para aire comprimido compuesto de 3 elementos.
- (3) Limpie el elemento del filtro del sistema de aire de 3 piezas
- (4) Apriete todos los tornillos.

7. ALMACENAMIENTO

- 1 Para evitar la formación de óxido, aplique una capa de lubricante sobre las partes de acero antes de guardar la máquina durante un período de tiempo prolongado.
- 2 No conserve la máquina a temperaturas bajas. Guarde la herramienta en un lugar templado.
- 3 Cuando no la utilice, guárdela en lugares templados y secos. Mantenga la herramienta fuera del alcance de los niños.
- 4 Para que la grapadora o clavadora proporcione siempre un resultado óptimo, realice el mantenimiento y la sustitución de las piezas gastadas.

8. LOCALIZACIÓN DE AVERÍAS/ REPARACIONES

El diagnóstico y/o las operaciones de reparación deben efectuarse exclusivamente por concesionarios MAX CO. LTD. o por personal especializado, siguiendo las instrucciones contenidas en el presente manual y utilizando las piezas de recambio especificadas.



NF665A/15(CE)

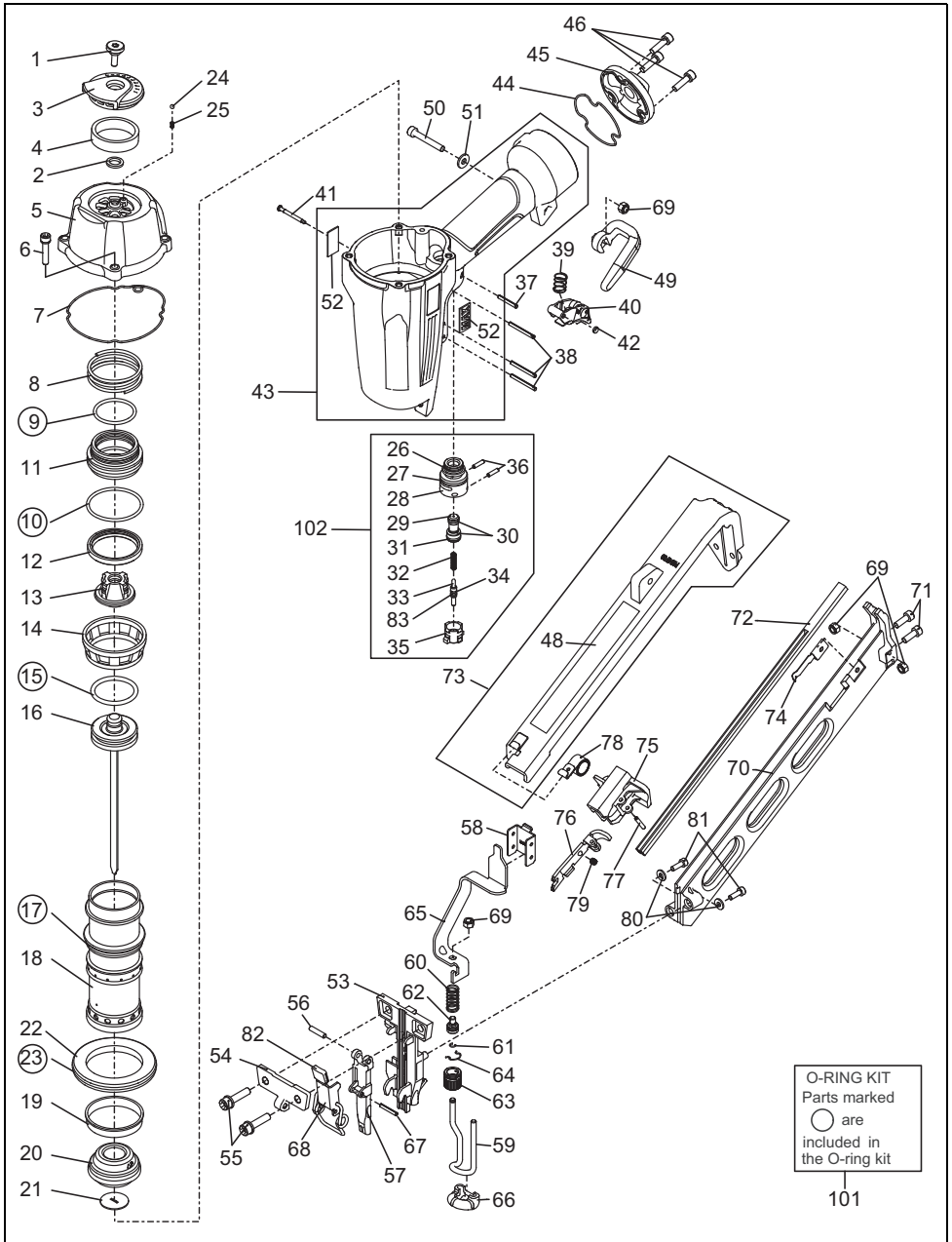
EXPLODED
VIEW AND SPARE
PARTS LIST

EINZELTEILDAR-
STELLUNG UND
ERSATZEILLISTE

SCHEMA ECLATE ET
LISTE DES PIÉCES
DE RECHANGE

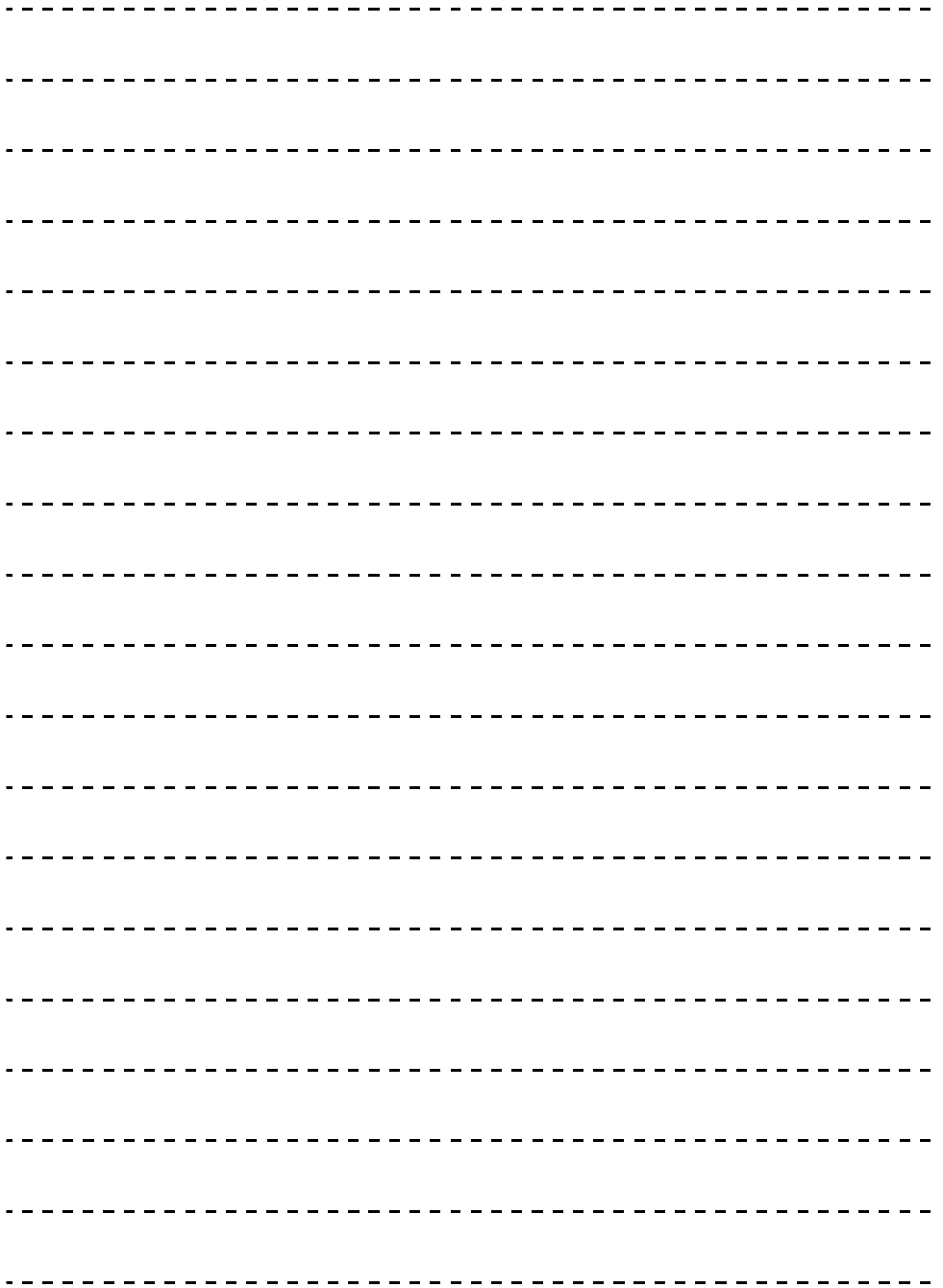
ESPLOSO DEI
COMPONENTI DE
ELENCO DELLE
PARTI DI RICAMBIO

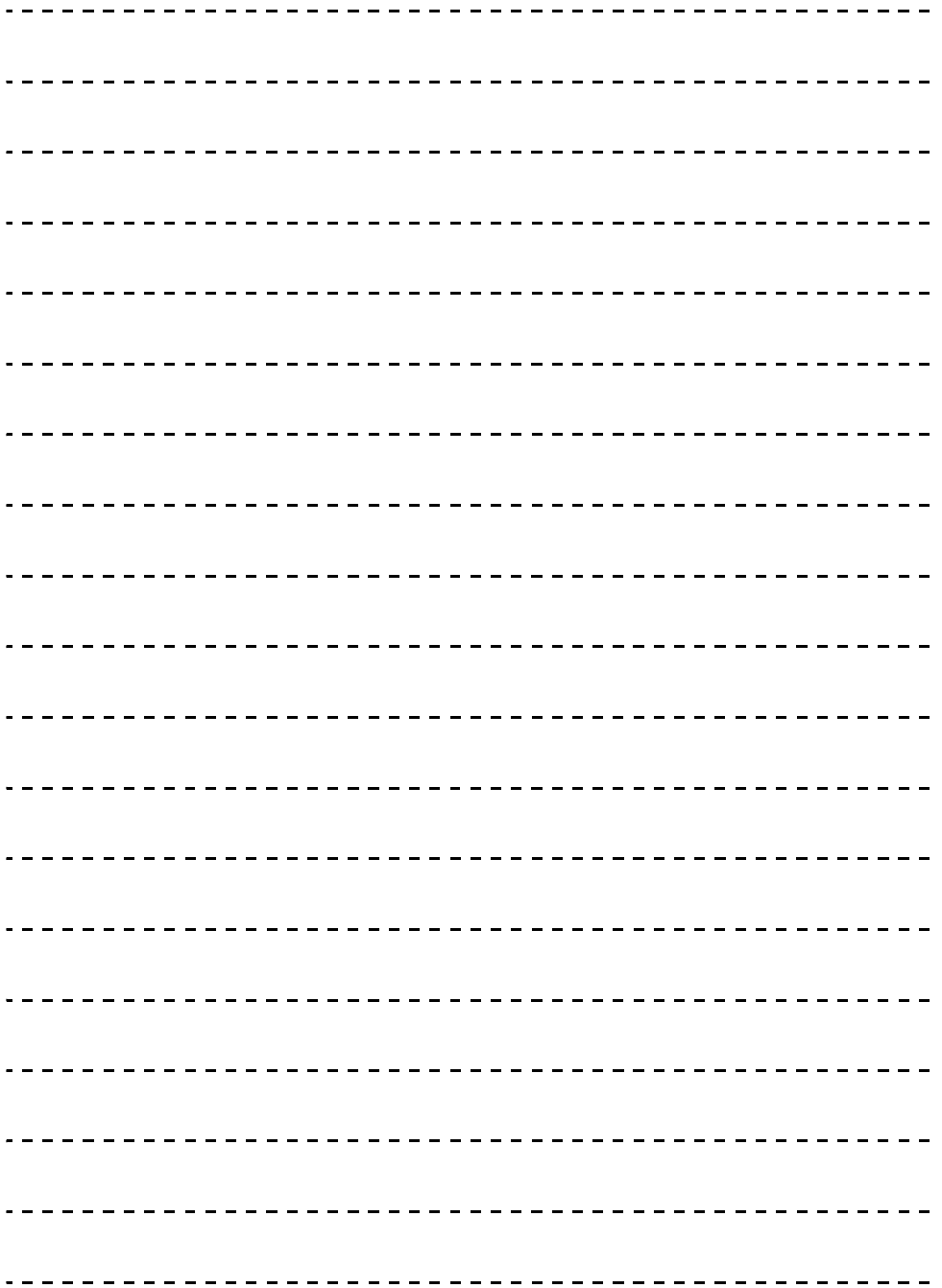
DESPIECE DE LA
MAQUINA Y LISTA
DE RECAMBIOS



ITEM NO.	PART NO.	MATERIAL	ENGLISH	DEUTSCH	FRANÇAIS	ITALIANO	ESPAÑOL
1	TA19716	Steel	EXHAUST SCREW	ABSAUGSCHRAUBE	ENTRETOISE D'ÉCHAPPEMENT	VITE DI SCARICO	TORNILLO DE ESCAPE
2	TA19717	Rubber	EXHAUST SPACER	ABSAUGZWISCHENSTÜCK	ENTRETOISE D'ÉCHAPPEMENT	DISTANZIATORE DI SCARICO	ESPAZIADOR DE ESCAPE
3	TA19718	Nylon	EXHAUST COVER	ABSAUGHAUBE	CAPOT D'ASPIRATION	COPERCHIO DELLO SCARICO	CAMPANA DE ESCAPE
4	TA19719	Polyester textile fiber	EXHAUST FILTER	ABSAUGFILTER	FILTRO D'ÉCHAPPEMENT	FILTRO DI SCARICO	FILTRO DE ESCAPE
5	TA19721	Aluminum	CYLINDER CAP	ZYLINDERDECKEL KOMPL.	COUVECLE DE CYLINDRE	COPERCHIO CILINDRO	CUIBIERTA DE CILINDRO
6	TA19803	Steel	HEX. SOC. HD. CAP SCREW ASSY	INNESECHSKANTSCHRAUBEN-BAUGRUPPE	ENS. VIS 6 PANS CREUX	GRUPPO VITI A TESTA ESAGONALE INCASSATA	CONJUNTO DE TORNILLOS DE CABEZA HEXAGONAL
7	TA19722	Rubber	CYLINDER CAP SEAL	AUSSLASSSCHEIBE	RONDELLE ÉCHAPPEMENT	RONDELLA DI SCARICA	ARANDELA DE ESCAPE
8	TA19723	Steel	COMPRESSION SPRING 9723	DRUCKFEDER 9723	RESSORT À PRESSION 9723	MOLLA DI COMPRESIONE 9723	MUELLE DE COMPRESIÓN 9723
9	TA19724	Rubber	O-RING 9724	O-RING 9724	JOINT TORIQUE 9724	O-RING 9724	ANILLO TÓRICO 9724
10	TA19725	Rubber	O-RING 9725	O-RING 9725	JOINT TORIQUE 9725	O-RING 9725	ANILLO TÓRICO 9725
11	TA19726	Polyacetal	HEAD VALVE PISTON	KOPFVENTILKOLBEN	PISTON DE CLAPET DE TÊTE	STANTUFFO VALVOLA DI MANDATA	EMBORO VALVULA DEL CABEZAL
12	TA19727	Polyurethan	CYLINDER SEAL	ZYLINDERDICHTUNG	JOINT DE CYLINDRE	GUARNIZIONE DEL CILINDRO	SELLO DEL CILINDRO
13	TA19728	Polyurethan	PISTON STOP	KOLBENANSCHLAG	BUTÉE DE PISTON	FERMO STANTUFFO	TOPE ÉMBOLO
14	TA19802	Nylon	CYLINDER WASHER	ZYLINDERUNTERLEGSCHIBE	RONDELLE DE CYLINDRE	DISCO DI CILINDRO	ARANDELA DE CILINDRO
15	TA19911	Rubber	O-RING 9911	O-RING 9911	JOINT TORIQUE 9911	O-RING 9911	ANILLO TÓRICO 9911
16	TA19910	Aluminum +Steel	DRIVER UNIT	TREIBEREINHEIT	UNITÉ MOTRICE	UNITÀ MANDRINO	UNIDAD DE ACCIONAMIENTO
17	TA19731	Rubber	O-RING 9731	O-RING 9731	JOINT TORIQUE 9731	O-RING 9731	ANILLO TÓRICO 9731
18	TA19732	Aluminum	CYLINDER	ZYLINDER	CYLINDRE	CILINDRO	CILINDRO
19	TA19733	Rubber	CHECK VALVE	RÜCKSCHLAGVENTIL	CLAPET ANTI-RETOUR	VALVOLA DI NON RITORNO	VÁLVULA DE RETENCIÓN
20	TA19734	Rubber	BUMPER	STOSSDÄMPFER	AMORTISSEUR	AMMORTIZZATORE	AMORTIGUADOR
21	TA19735	Steel	NOZZLE	DÜSE	BUSE	UGELLO	TOBERA
22	TA19736	Polyacetal	CYLINDER RING	ZYLINDERRING	ANNEAU DE CYLINDRE	ANELLO CILINDRO	ANILLO DE CILINDRO
23	TA19737	Rubber	O-RING 9737	O-RING 9737	JOINT TORIQUE 9737	O-RING 9737	ANILLO TÓRICO 9737
24	TA19795	Steel	STEEL BALL	STAHLKUGEL	BILLE D'ACIER	SFERA D'ACCIAIO	BOLA DE ACERO
25	TA19794	Steel	COMPRESSION SPRING 9794	DRUCKFEDER 9794	RESSORT À PRESSION 9794	MOLLA DI COMPRESIONE 9794	MUELLE DE COMPRESIÓN 9794
26	TA19738	Rubber	O-RING 9738	O-RING 9738	JOINT TORIQUE 9738	O-RING 9738	ANILLO TÓRICO 9738
27	TA19739	Rubber	O-RING 9739	O-RING 9739	JOINT TORIQUE 9739	O-RING 9739	ANILLO TÓRICO 9739
28	TA19740	Polyacetal	TRIGGER VALVE HOUSING	BETÄTIGUNGSVENTILGEHÄUSE	CARTER DE SOUPEE DE DÉCLENCHEMENT	ALLOGGIO DELLA VALVOLA DI INNESCO	CUBIERTA DE VALVULA DEL DISPARADOR
29	TA19741	Brass	PILOT VALVE	STEUERVENTIL	VANNE-PILOTE	VALVOLA DI COMANDO	VÁLVULA DE CONTROL
30	TA19742	Rubber	O-RING 9742	O-RING 9742	JOINT TORIQUE 9742	O-RING 9742	ANILLO TÓRICO 9742
31	TA19743	Rubber	O-RING 9743	O-RING 9743	JOINT TORIQUE 9743	O-RING 9743	ANILLO TÓRICO 9743
32	TA19744	Steel	COMPRESSION SPRING 9744	DRUCKFEDER 9744	RESSORT À PRESSION 9744	MOLLA DI COMPRESIONE 9744	MUELLE DE COMPRESIÓN 9744
33	TA19745	Steel	TRIGGER VALVE STEM	BETÄTIGUNGSVENTILSCHAF	TIGE DE SOUPEE DE COMMANDE	VALVOLA DI AZIONAMENTO	VÁSTAGO VALVULA DE ACCIONAMIENTO
34	TA19159	Rubber	O-RING	O-RING	JOINT TORIQUE	O-RING	ANILLO TÓRICO
35	TA19746	Polyacetal	TRIGGER VALVE CAP	BETÄTIGUNGSVENTILDECKEL	COUVERCLE DE SOUPEE DE COMMANDE	COPERCHIO VALVOLA DI AZIONAMENTO	SOMBRETE VALVULA DE ACCIONAMIENTO
36	TA19747	Steel	SPRING PIN 9747	FEDERSTIFT 9747	GOUPILLE DE RESSORT 9747	PERNO DI MOLLA 9747	PERNO DE MUELLE 9747
37	TA19748	Steel	SPRING PIN 9748	FEDERSTIFT 9748	GOUPILLE DE RESSORT 9748	PERNO DI MOLLA 9748	PERNO DE MUELLE 9748
38	TA19749	Steel	SPRING PIN 9749	FEDERSTIFT 9749	GOUPILLE DE RESSORT 9749	PERNO DI MOLLA 9749	PERNO DE MUELLE 9749
39	TA19750	Steel	COMPRESSION SPRING 9750	DRUCKFEDER 9750	RESSORT À PRESSION 9750	MOLLA DI COMPRESIONE 9750	MUELLE DE COMPRESIÓN 9750
40	TA19751	Nylon+Rubber	TRIGGER UNIT	BETÄTIGUNGSEINHEIT	UNITÉ DE DÉCLENCHEMENT	UNITÀ DI AZIONAMENTO	UNIDAD DE ACCIONAMIENTO
41	TA19752	Steel	STEP PIN 9752	STUFENBOLZEN 9752	BOULON À GRADINS 9752	PERNO SCALARE 9752	PERNO ESCALONADO 9752
42	TA18927	Polyurethan	RUBBER WASHER	GÜMMISCHIBE	DISQUE DE CAOUTCHOUC	RONDELLA IN GOMMA	ARANDELA DE CAUCHO
43	TA70397	Magnesium+Rubber	FRAME UNIT	GEHÄUSE KOMPL.	BOÎTIER COMPLET	ALLOGGIAMENTO OPERATORE	CARCARA COMPL.
44	TA19755	Rubber	END CAP SEAL	ENDSTÖPSELSIEGEL	SCEAU DE CHAPEAU D'EXTREMITÉ	SIGILLO DI CAPPETTO DI ESTREMITÀ	SELLO DE CASQUETE DE EXTREMIDAD
45	TA19756	Aluminum	END CAP	ABSCHLUSSKAPPE	CAPOT DE RECOURVEMENT	CAPPUCIO DI CHIUSURA	CAPERUZA DE CIERRE
46	TA19757	Steel	HEX. SOC. HD. CAP SCREW ASSY	INNESECHSKANTSCHRAUBEN-BAUGRUPPE	ENS. VIS 6 PANS CREUX	GRUPPO VITI A TESTA ESAGONALE INCASSATA	CONJUNTO DE TORNILLOS DE CABEZA HEXAGONAL
48	TA19921	Polyethylene terephthalate	NAME LABEL(CE)	NAMENSSCHILD (CE)	JOINT DE NOM (CE)	SIGILLO DI NOME (CE)	JUNTA DE NOMBRE (CE)
49	TA19758	Nylon	HOOK	HAKEN	CROCHET	GANCIO	GANCHO
50	TA19759	Steel	HEX. SOC. HD. CAP SCREW	INNESECHSKANTSCHRAUBE	VIS SIX PANS CREUX	VITE A TESTA ESAGONALE INCASSATA	TORNILLO DE CABEZA HEXAGONAL
51	TA19760	Steel	WASHER	UNTERLEGSCHIBE	RONDELLE	ROSETTA	ARANDELA
52	TA18930	ABS	NAME PLATE	NAMENSSCHILD	PLAQUE SIGNALÉTIQUE	TARGHETTA	PLACA DE IDENTIFICACIÓN
53	TA19761	Steel	NOSE	NAGLERNASE	NEZ DE CLOUEUR	PUNTA SPARACHIODI	CUADRANTE DE AJUSTE
54	TA19762	Steel	DRIVER GUIDE B	TREIBERFÜHRER B	GUIDE DE MANDRIN B	GUIDA DI MANDRINO B	GUÍA DE MANDRIL B
55	TA19763	Steel	HEX. SOC. HD. CAP SCREW ASSY	INNESECHSKANTSCHRAUBEN-BAUGRUPPE	ENS. VIS 6 PANS CREUX	GRUPPO VITI A TESTA ESAGONALE INCASSATA	CONJUNTO DE TORNILLOS DE CABEZA HEXAGONAL
56	TA19764	Steel	STRAIGHT PIN	ZYLINDERSTIFT	GOUPILLE CYLINDRIQUE	SPINA CILINDRICA	PASADOR CILINDRICO
57	TA19765	Steel	DRIVER GUIDE A	TREIBERFÜHRER A	GUIDE DE MANDRIN A	GUIDA DI MANDRINO A	GUÍA DE MANDRIL A
58	TA19766	Steel	ARM GUIDE	ARMFÜHRER	GUIDE DE BRAS DE CONTACT	GUIDA DEL BRACCIO DI CONTATTO	GUÍA DEL BRAZILLO
59	TA19767	Steel	CONTACT ARM B	KONTAKTARM B	BARRE DE CONTACT B	BRACCIO DI CONTATTO B	BRAZO DE CONTACTO B
60	TA19768	Steel	COMPRESSION SPRING 9768	DRUCKFEDER 9768	RESSORT À PRESSION 9768	MOLLA DI COMPRESIONE 9768	MUELLE DE COMPRESIÓN 9768

ITEM NO.	PART NO.	MATERIAL	ENGLISH	DEUTSCH	FRANÇAIS	ITALIANO	ESPAÑOL
61	TA19769	Steel	C-RING	C-RING	BAGUE	C-RING	ANILLO EN C
62	TA19770	Steel	CONTACT BOLT	KONTAKTSCHRAUBBOLZEN	BOULON DE CONTACT	BULLONE DI CONTATTO	PERNO DE CONTACTO
63	TA19771	Nylon+Steel	ADJUST DIAL	EINSTELLVORWAHLKNOPF	CADRAN DE RÉGLAGE	MANOPOLA DI REGOLAZIONE	CUADRANTE DE AJUSTE
64	TA19772	Steel	C-RING	C-RING	BAGUE	C-RING	ANILLO EN C
65	TA19773	Steel	CONTACT ARM A	KONTAKTARM A	BARRE DE CONTACT A	BRACCIO DI CONTATTO A	BRAZO DE CONTACTO A
66	TA19774	Polyurethan	CONTACT TOP	KONTAKTOBERTEIL	HAUT DE BARRE DE CONTACT	ESTREMITÀ SUPERIORE DI CONTATTO	PORTE SUPERIOR DE CONTACTO
67	TA19775	Steel	SPIRAL PIN	SPIRALSTIFT	GOUPILLE EN SPIRALE	PERNO A SPIRALE	PERNO HELICOIDAL
68	TA19776	Steel	FRONT LATCH UNIT	VORDERE VERRIEGELUNGSEINHEIT	UNITÉ DE VERROU AVANT	UNITÀ FERMO ANTERIORE	UNIDAD DE CIERRE DELANTERO
69	TA19777	Steel	NUT	MUTTER	ECROU	DADO	TUERCA
70	TA19778	Polycarbonate	MAGAZINE A	MAGAZIN A	MAGASIN A	CARICATORE A	CARGADOR A
71	TA19779	Steel	HEX. SOC. HD. CAP SCREW	INNENSECHSKANTSCHRAUBE	VIS SIX PANS CREUX	VITE A TESTA ESAGONALE INCASSATA	TORNILLO DE CABEZA HEXAGONAL
72	TA19780	Steel	NAIL COVER	NAGELDECKEL	COUVERCLE DE CLOUS	COPERCHIO DI CHIODI	CUBIERTA DE CLAVOS
73	TA81348	Nylon	MAGAZINE ASSY	MAGAZIN KOMPL.	MAGASIN COMPLET	GRUPPO DI CARICATORE	CARGADOR COMPL.
74	TA19782	Steel	NAIL STOPPER	NAGELSTOPPER	PIECE ARRET DE CLOUS	FERMO DI CHIODI	TOPE DE CLAVOS
75	TA19783	Nylon	PUSHER HOLDER	SCHIEBERHALTER	SUPPORT DE POUSSOIR	SUPPORTO SPINGITOIO	SOPORTE DE EMPUJADOR
76	TA19784	Steel	PUSHER	SCHIEBER	POUSSOIR	SPINGITOIO	EMPUJADOR
77	TA19785	Steel	SPRING PIN 9785	FEDERSTIFT 9785	GOUPILLE DE RESSORT 9785	PERNO DI MOLLA 9785	PERNO DE MUELLE 9785
78	TA19786	Steel	SPIRAL SPRING UNIT	SPIRALFEDEREINHEIT	UNITÉ DE RESSORT EN SPIRALE	UNITÀ MOLLA A SPIRALE	UNIDAD DE MUELLE HELICODAL
79	TA19787	Steel	COMPRESSION SPRING 9787	DRUCKFEDER 9787	RESSORT Á PRESSION 9787	MOLLA DI COMPRESIONE 9787	MUELLE DE COMPRESIÓN 9787
80	TA19788	Steel	WASHER	UNTERLEGSCHEIBE	RONDELLE	ROSETTA	ARANDELA
81	TA18935	Steel	HEX. SOC. HD. CAP SCREW	INNENSECHSKANTSCHRAUBE	VIS SIX PANS CREUX	VITE A TESTA ESAGONALE INCASSATA	TORNILLO DE CABEZA HEXAGONAL
82	TA19796	Rubber	LATCH COVER	VERRIEGELUNGSABDECKUNG	COUVERCLE DE VERROU	COPERCHIO FERMO	TAPA DE CIERRE
83	TA19801	Rubber	O-RING 9801	O-RING 9801	JOINT TORIQUE 9801	O-RING 9801	ANILLO TÓRICO 9801
101	TA81356		O-RING KIT	O-RINGSKIT	KIT DE JOINT TORIQUE	KIT DI O-RING	KIT DE ANILLO TÓRICO
102	TA81290		TRIGGER ASSY	BETÄTIGUNGSHEBEL KOMPL.	LEVIER DE COMMANDE COMPLET	UNITÀ DEL GRILLETTO	PALANCA DE ACCIONAMIENTO COMP.





NF665A/15

EC DECLARATION OF CONFORMITY

We hereby declare that the product titled in this instruction manual conforms to the essential health and safety requirements of EC Directives as below.

Directive :Machinery Directive 2006/42/EC
Manufacturer :MAX CO.,LTD.
1848 Kawai, Tamamura, Sawa-gun,
Gunma 370-1117 Japan

This product has been evaluated for conformity with the above directives using the following European standards.

Machinery Directive :EN ISO 12100:2010
EN792-13 :2000+A1 :2008
Title :General Manager,MAX CO.,LTD.
Address :1848 Kawai, Tamamura, Sawa-gun,
Gunma 370-1117 Japan
Authorised complier :MAX.EUROPE BV/President in
the community Camerastraat 19,1322 BB
Almere, The Netherlands

EG KONFORMITÄTSERKLÄRUNG

Wir erklären hiermit, dass das in dieser Bedienungsanleitung beschriebene Produkt mit den maßgeblichen Gesundheits- und Sicherheitsvorschriften der EG-Richtlinien konform ist, wie nachstehend beschrieben.

Richtlinie : Maschinenrichtlinie 2006/42/EC
Hersteller :MAX CO.,LTD.
1848 Kawai, Tamamura, Sawa-gun,
Gunma 370-1117 Japan

Dieses Produkt wurde auf Konformität mit den obigen Richtlinien unter Einhaltung der folgenden europäischen Normen geprüft.

Maschinenrichtlinie :EN ISO 12100:2010
EN792-13 :2000+A1 :2008
Position : Generaldirektor,MAX CO.,LTD.
Adresse :1848 Kawai, Tamamura, Sawa-gun,
Gunma 370-1117 Japan

Autorisierter Entsorger :MAX.EUROPE BV/Präsident in der Gemeinschaft
Camerastraat 19, 1322 BB Almere, Holland

DÉCLARATION DE CONFORMITÉ CE

Nous déclarons par la présente que le produit du titre de ce manuel d' instructions est conforme aux exigences essentielles de santé et de sécurité des Directives CE décrites ci-dessous.

Directive : Directive de Mécanique 2006/42/CE
Fabricant :MAX CO., LTD.
1848 Kawai, Tamamura, Sawa-gun,
Gunma 370-1117 Japon

Ce produit a été évalué pour sa conformité aux directives ci-dessus en utilisant les standards Européens suivants.

Directive de Mécanique :EN ISO 12100:2010
EN792-13 :2000+A1 :2008

Titre :Directeur Général,MAX CO., LTD.
Adresse :1848 Kawai, Tamamura, Sawa-gun,
Gunma 370-1117 Japon

Agente de conformité agréé :MAXEUROPE BV/Président dans
la communauté Camerastraat 19,
1322 BB Almere, Pays-Bas

DICHIARAZIONE DI CONFORMITÀ CE

Si dichiara qui che il prodotto riferito in questo manuale di istruzioni risulta conforme ai requisiti di base concernenti la salute e la sicurezza, espressi dalle direttive CE, come riportato di seguito.

Direttiva : Direttiva Macchine 2006/42/CE
Produttore :MAX CO., LTD.
1848 Kawai, Tamamura, Sawa-gun,
Gunma 370-1117 Giappone

Questo prodotto è stato valutato per la conformità con le succitate direttive, secondo i seguenti standard europei.

Direttiva Macchine :EN ISO 12100:2010
EN792-13 :2000+A1 :2008
Titolo : Direttore generale,MAX CO., LTD.
Indirizzo :1848 Kawai, Tamamura, Sawa-gun,
Gunma 370-1117 Giappone
Sede in Europa :MAX.EUROPE BV/Presidente della società
MAX.EUROPE Camerastraat 19,
1322 BB Almere, Olanda

DECLARACIÓN EC DE CONFORMIDAD

Por este medio declaramos que el producto mencionado en este manual de instrucciones se encuentra en conformidad con los requerimientos de salud y de seguridad esenciales de las Directivas CE.

Directiva : Directiva sobre Maquinaria 2006/42/CE
Fabricante :MAX CO., LTD.
1848 Kawai, Tamamura, Sawa-gun,
Gunma 370-1117 Japón

Este producto ha sido evaluado en conformidad con las directivas antes mencionadas usando los estándares de Europa.

Directiva sobre maquinaria :EN ISO 12100:2010
EN ISO 12100-2(EN292-2)
EN792-13 :2000+A1 :2008

Título :Gerente general,MAX CO., LTD.
Dirección :1848 Kawai, Tamamura, Sawa-gun,
Gunma 370-1117 Japón

Complier autorizado :MAX.EUROPE BV/Presidente de la comunidad
Camerastraat 19,1322 BB Almere, Holanda

- The content of this manual might be changed without notice for improvement.
 - Änderungen der Betriebsanleitung zum Zwecke der Verbesserung ohne Ankündigung vorbehalten.
 - Le contenu de ce manuel est sujet a modification sans preavis a des fins d'amelioration.
 - I contenuti di questo manuale possono essere cambiati senza preavviso per motivi di miglioramento del prodotto.
 - El contenido de este manual puede ser cambiado sin noticia previa para mejoramiento.
-
- The specifications and design of the products in this manual will be subject to change without advance notice due to our continuous efforts to improve the quality of our products.
 - Änderungen bei technischen Daten und Design der Produkte in diesem Handbuch im Sinne der Produktverbesserung bleiben vorbehalten.
 - Les caractéristiques et la conception des produits mentionnés dans ce manuel sont sujettes à des modifications sans préavis en raison de nos efforts continus pour améliorer la qualité de nos produits.
 - Le caratteristiche e la concezione dei prodotti menzionati in questo manuale sono soggette a modifiche senza preavviso a causa dei nostri sforzi continui per migliorare la qualità dei nostri prodotti.
 - Las características y la concepción de los productos mencionados en este manual están sujetas a modificaciones sin preaviso debido a nuestros esfuerzos continuos para mejorar la calidad de nuestros productos.



MAX EUROPE BV

Antennestraat 45
1322 AH Almere The Netherlands
Phone: +31-36-546-9669
FAX: +31-36-536-3985

**wis.max-ltd.co.jp/int/ (GLOBAL Site)
www.max-europe.com (EUROPE Site)**



4100099
150630-00/00

